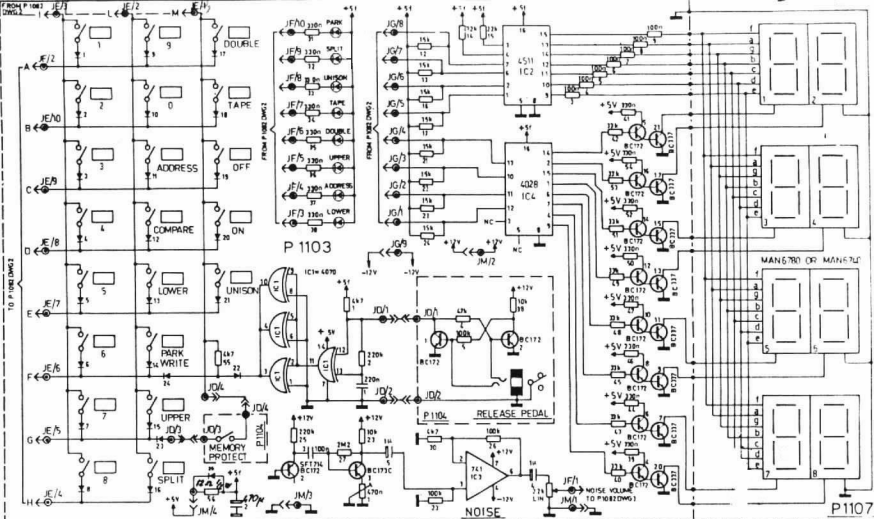
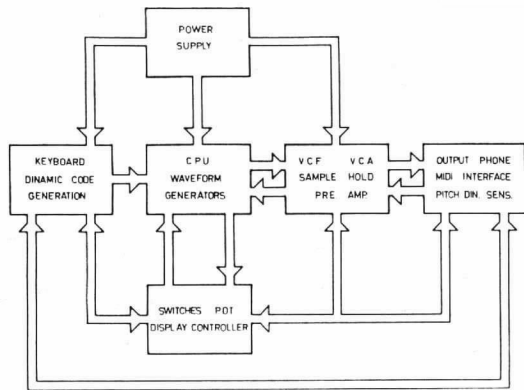
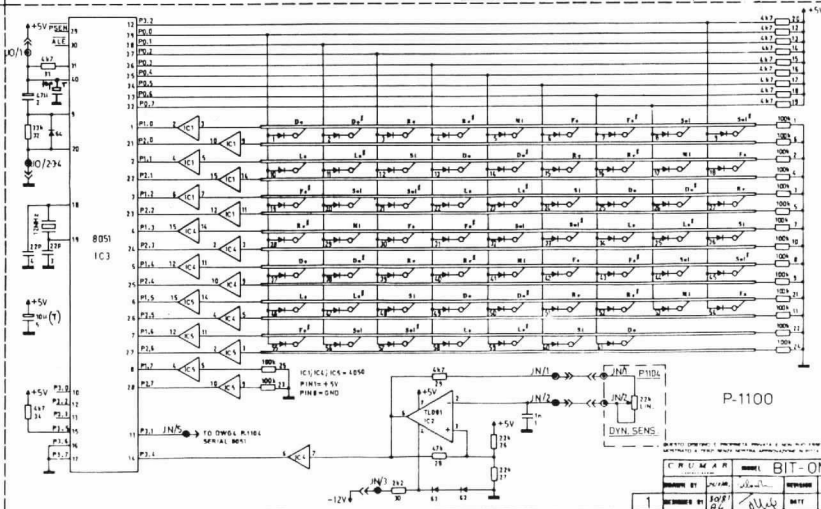
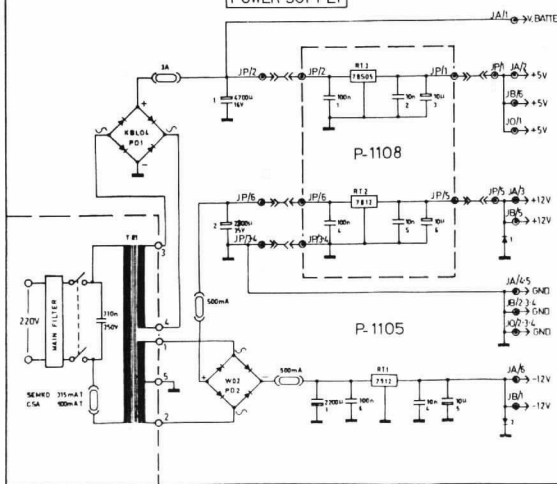


BLOCK DIAGRAM

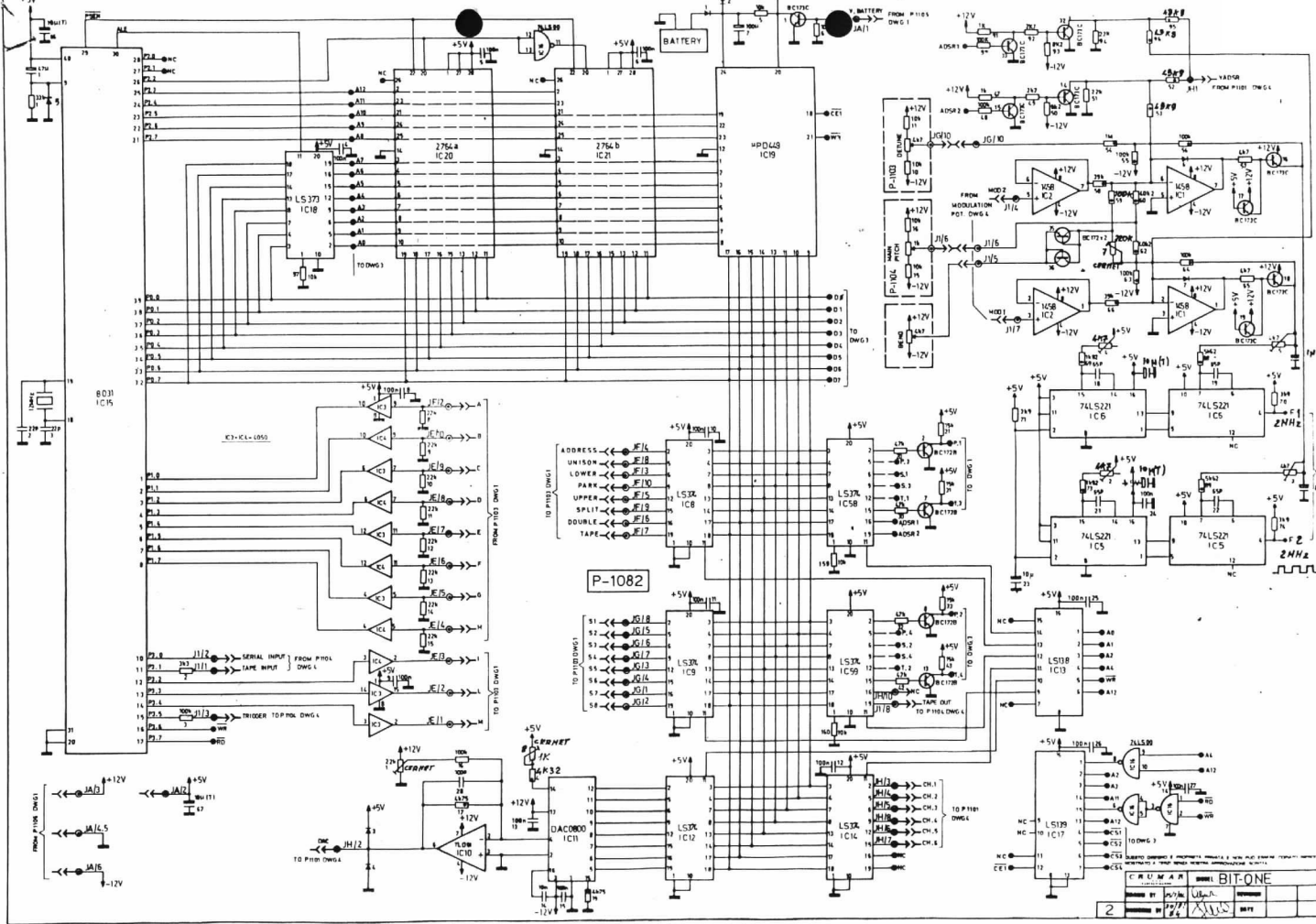


POWER SUPPLY



CREATED BY	DATE	REVISION	BIT-ONE
1	2007/06/01	01	BIT

RS TO P1101 DWG 4



C R U M A R				MODEL BIT-ONE			
BY	REV	DATE	APP	BY	REV	DATE	APP