

# KAT KT4 Pro Hi-Hat Owner's Manual

# Information For Your Safety!

## PRECAUTIONS

### PLEASE READ CAREFULLY BEFORE PROCEEDING

Please keep this manual in a safe place for future reference.

#### Power Supply

Please connect the designated AC adaptor to an AC outlet of the correct voltage.

Do not connect it to an AC outlet of voltage other than that for which your instrument is intended.

Unplug the AC power adaptor when not using the instrument, or during electrical storms.

#### Connections

Before connecting the instrument to other devices, turn off the power to all units. This will help prevent malfunction and / or damage to other devices.

#### Location

Do not expose the instrument to the following conditions to avoid deformation, discoloration, or more serious damage:

- Direct sunlight
- Extreme temperature or humidity
- Excessive dusty or dirty location
- Strong vibrations or shocks
- Close to magnetic field

#### Interference with other electrical devices

Radios and televisions placed nearby may experience reception interference. Operate this unit at a suitable distance from radios and televisions.

#### Cleaning

Clean only with a soft, dry cloth.

Do not use paint thinners, solvents, cleaning fluids, or chemical-impregnated wiping cloths.

#### Handling

Do not apply excessive force to the switches or controls.

Do not let paper, metallic particles, or other objects into the instrument. If this happens, remove the electric plug from the outlet. Then have the instrument inspected by qualified KAT service personnel.

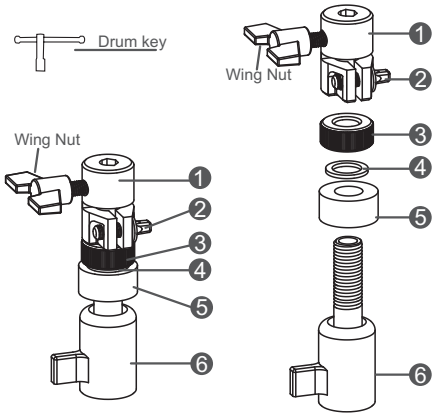
Disconnect all cables before moving the

### CAUTION

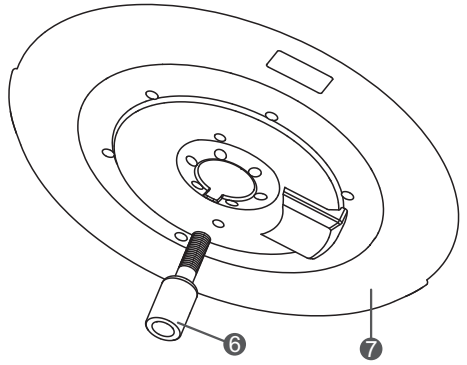
The normal function of the product may be disturbed by Strong Electro Magnetic Interference. If so, simply reset the product to resume normal operation by following the owner's manual. In case the function could not resume, please use the product in other location.

# Setup Guide

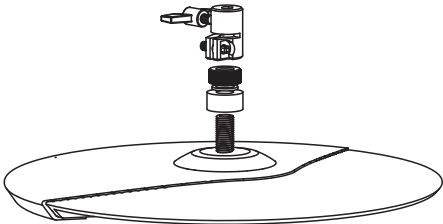
1. Loosen the screw #2 with a drum key.
2. Turn part 1 counterclockwise and take off part 1, 3, 4, 5 in sequence.



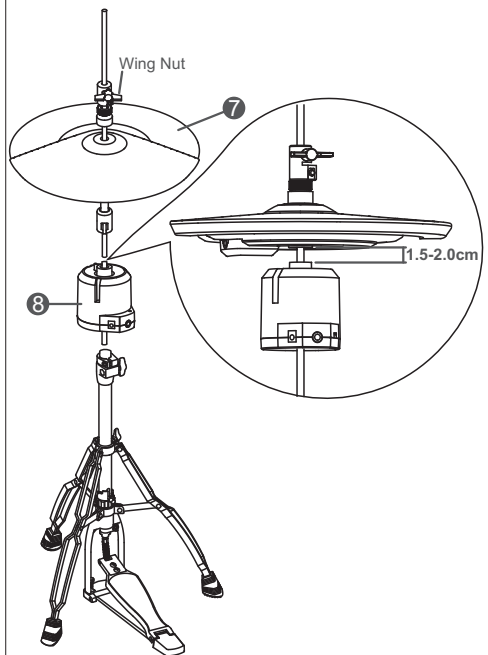
3. Insert part 6 through the center hole of part 7.



4. Put part 5, 4, 3 and 1 on 6 in sequence.
5. Tighten screw 2 with drum key.



6. Put part 8 on the stand, then put part 7 on the stand. Adjust the distance to 1.5~2.0 cm and tighten the wing nut.



# User Guide

## 1. Power Switch

OFF: Power off.

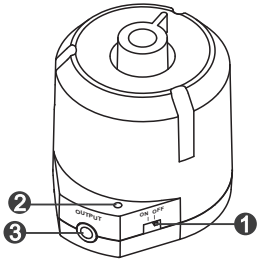
ON: Power on.

## 2. Power ON/OFF Indicator Light

Green: Power on.

## 3. HI-HAT CONTROL Trigger Output Jack

For connecting to the drum module via the HI-HAT CONTROL jack.

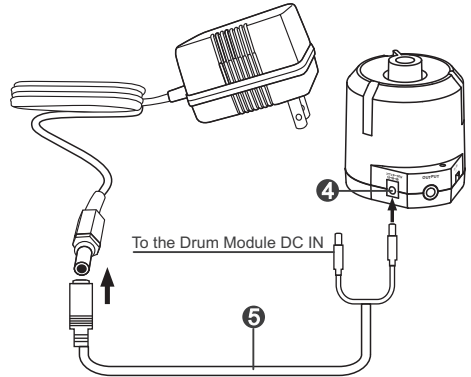


## 4. DC IN Jack

Connect a 9-12V, DC adaptor here.

## 5. Power Cables

The cable conducts the power from the adaptor to the device.



## 6. HI-HAT Trigger Output Jack

For connecting to the drum module via the HI-HAT INPUT jack.

