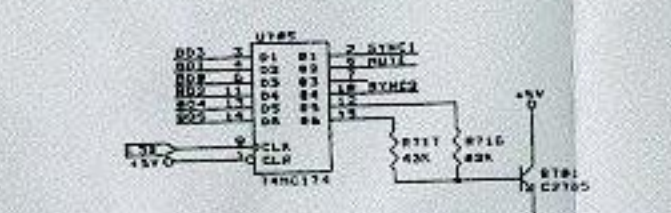
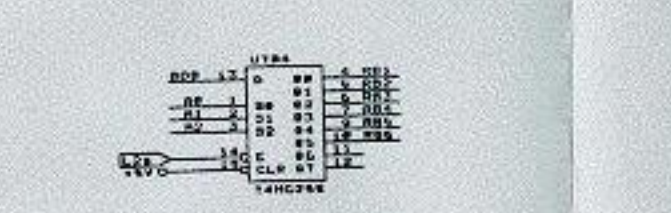
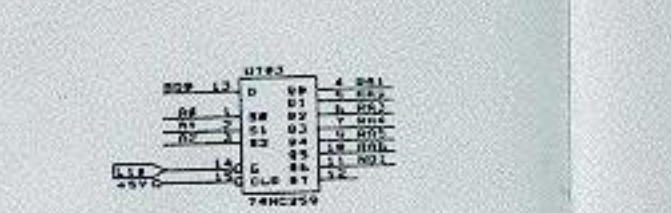
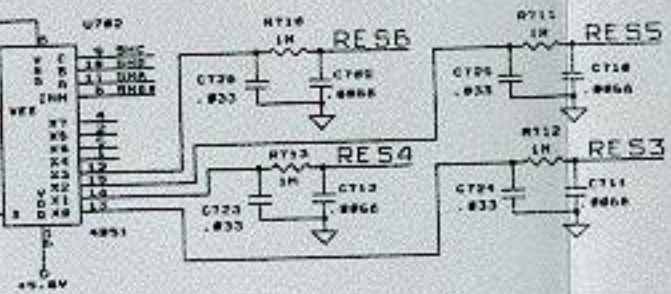
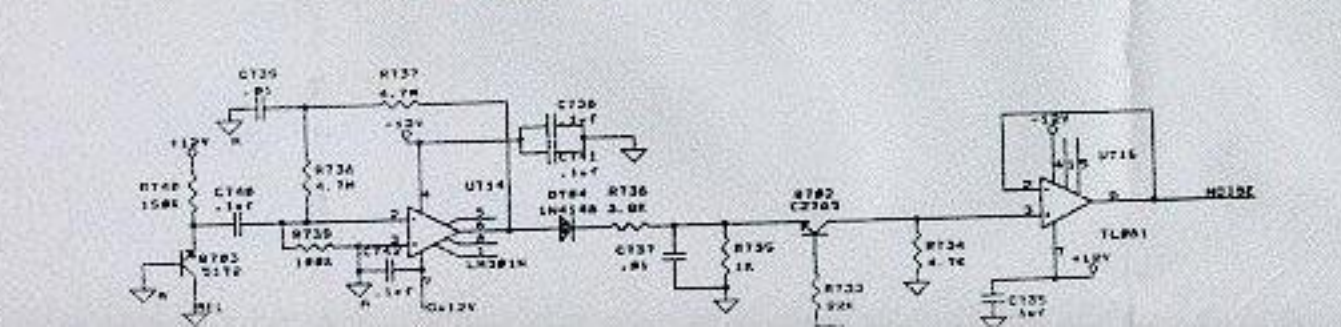
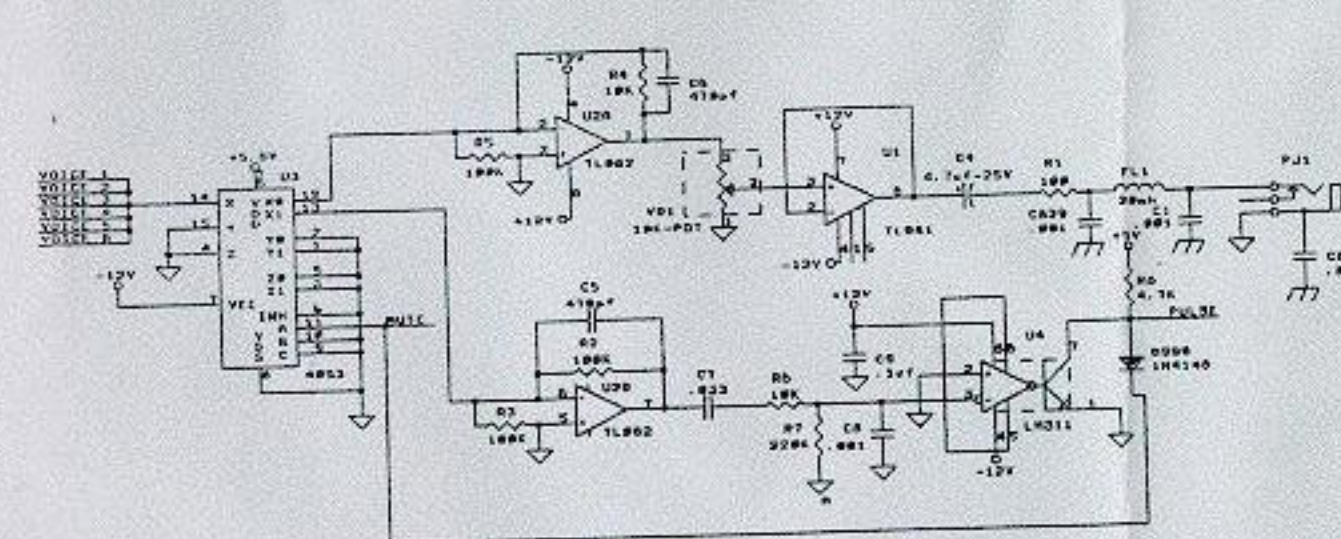
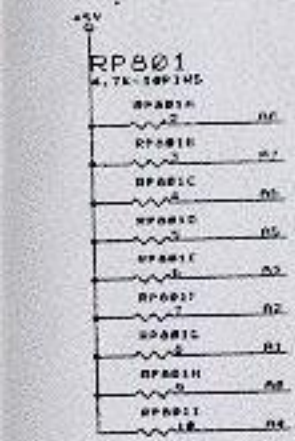
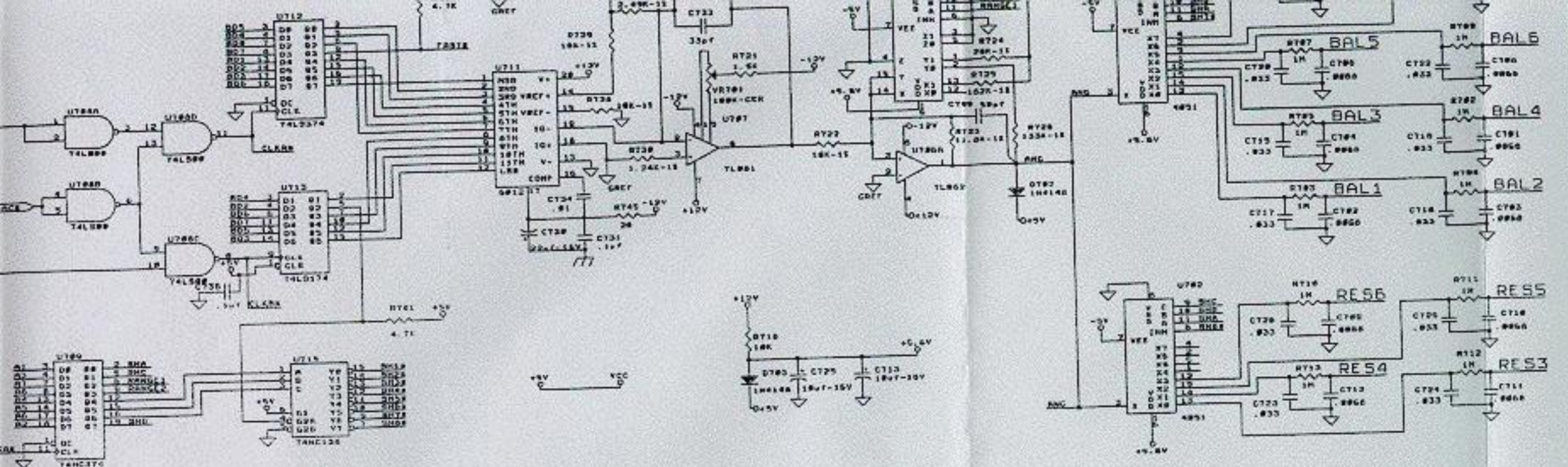
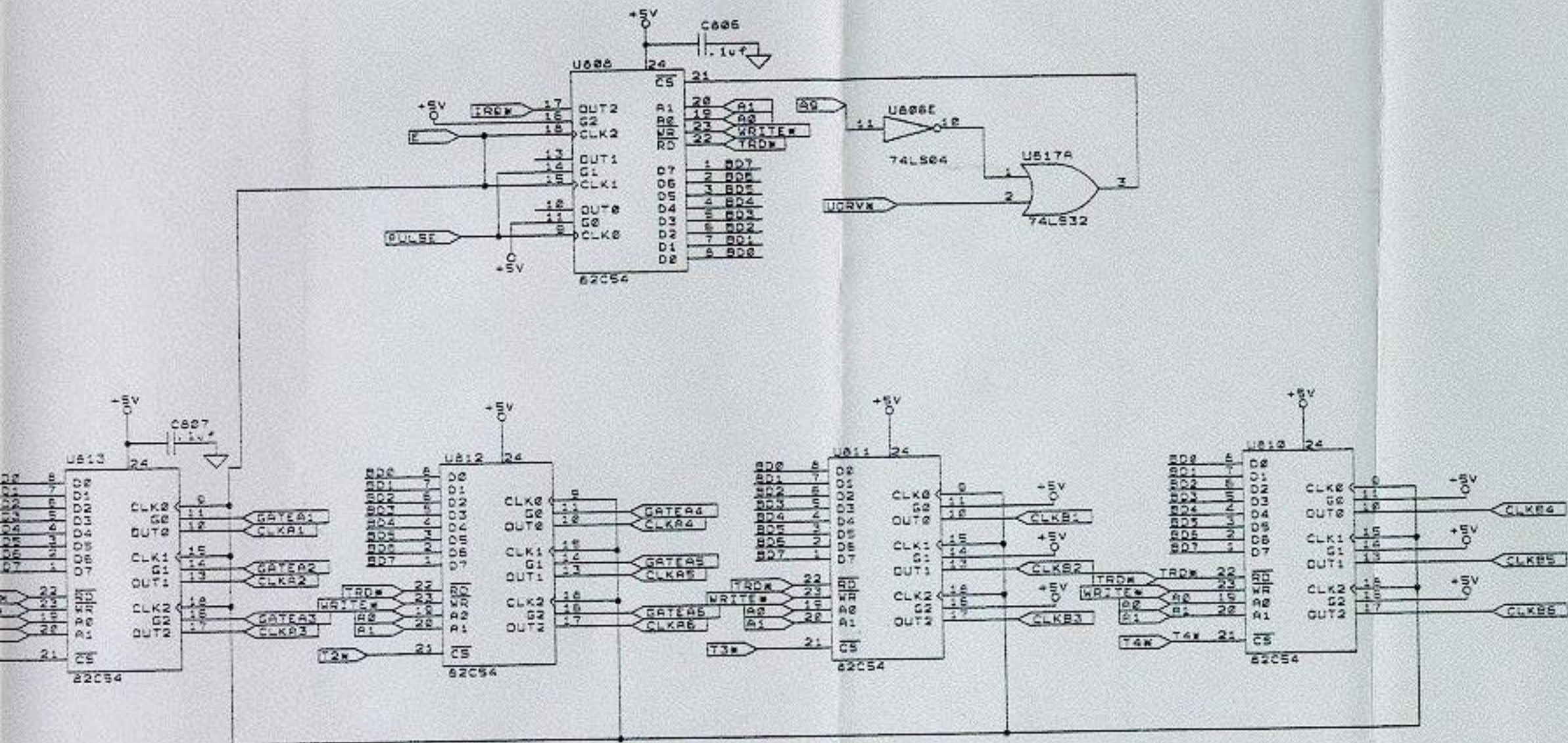


ECC-UBERHEIM  
 2015 Davis Ave.  
 Concord, CA 92040-1704  
 Title  
 Matrix-1000 Processor

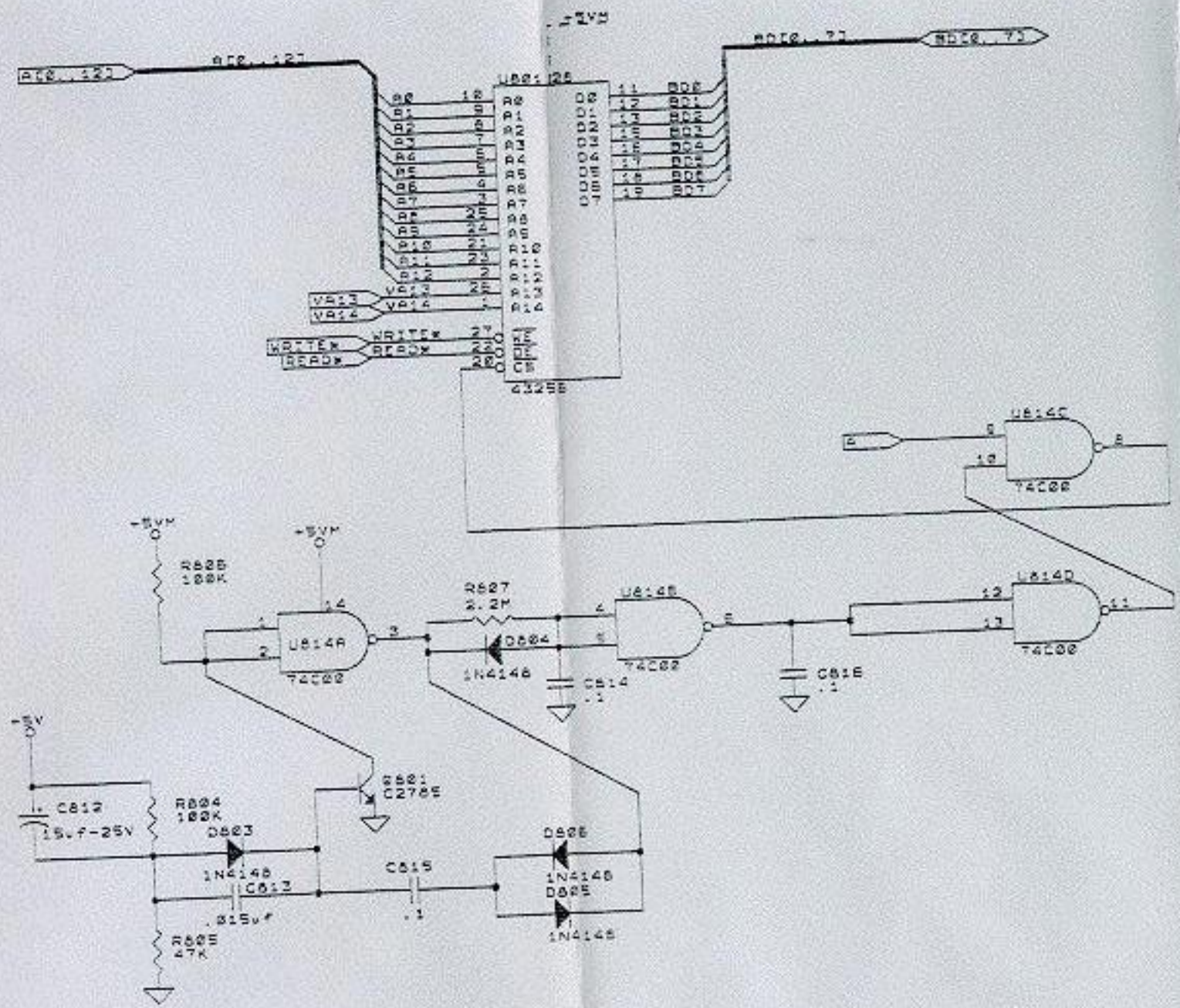


ECC/DERHEIM  
2815 Davis Ave.  
Channahon, IL 60610-1184

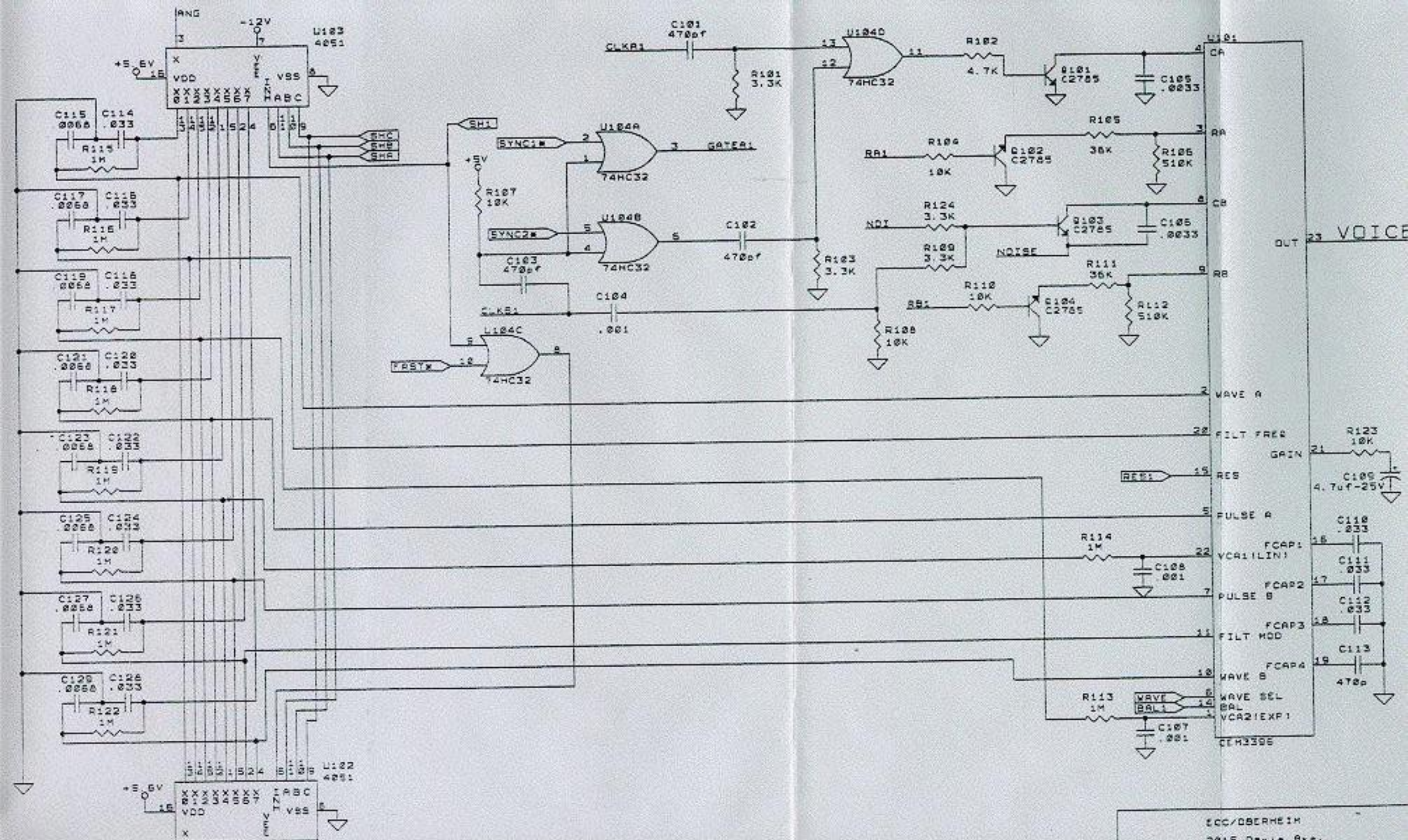


ECC/OBERHEIM  
 2015 Davis Ave.  
 Concord, CA. 94640-1784

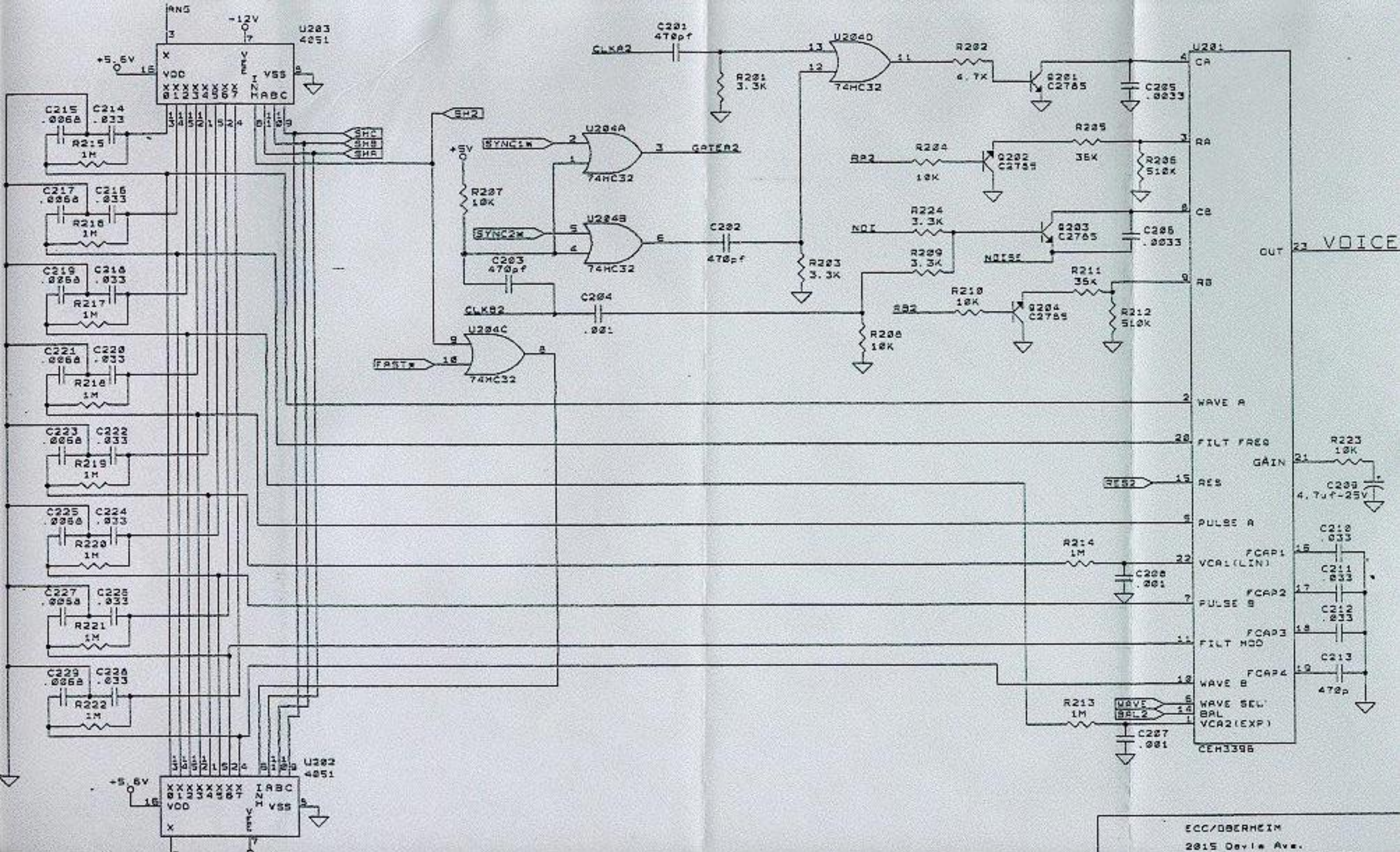
Title: Master-1000 Tiger

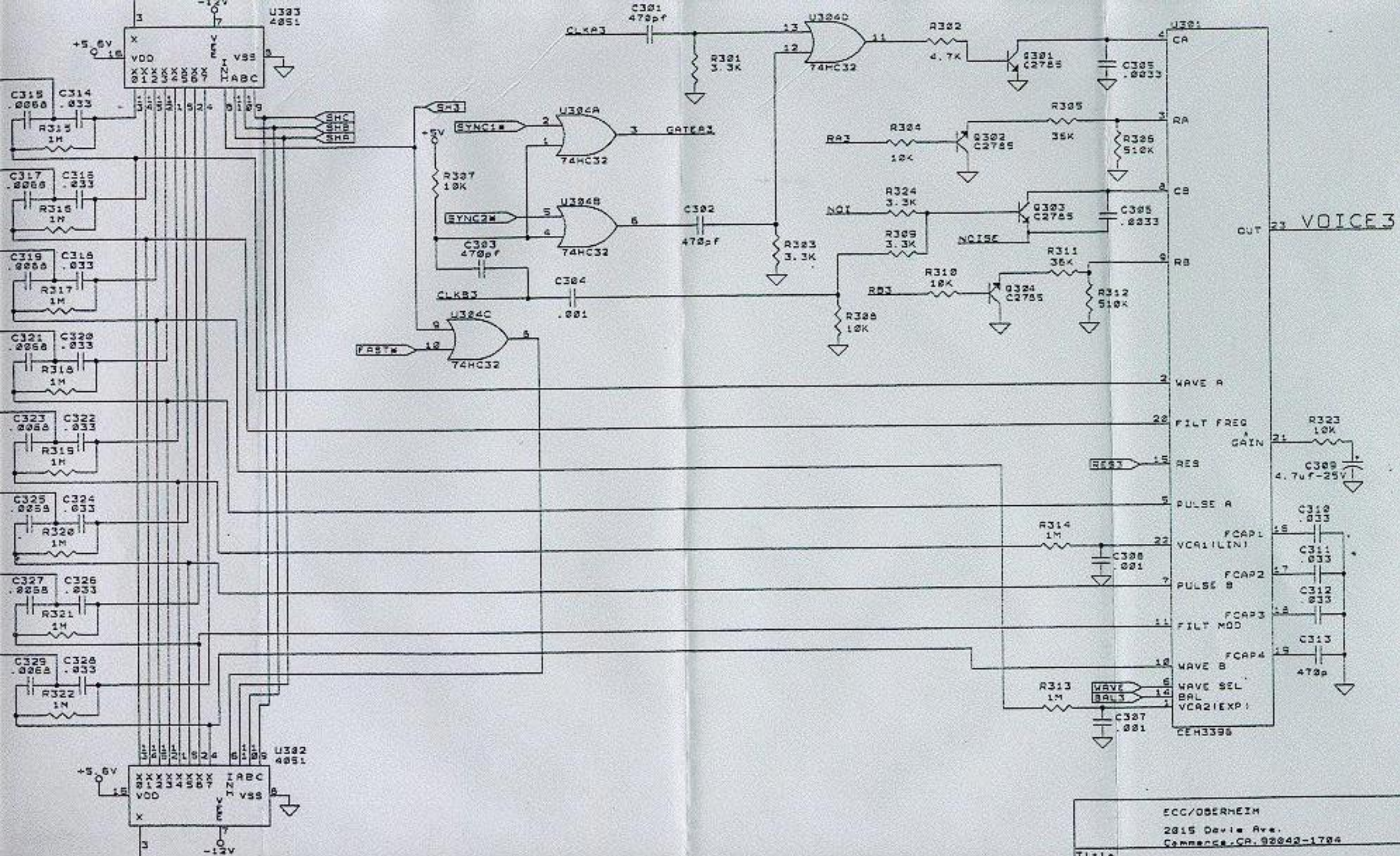


ECC/OBERHEIM		
2015 Davis Ave.		
Camarillo, CA, 93020-1784		
TITLE	Mat-IV-1000 CMOS	REV
Doc. Number	2487	B
Date: September 30, 1988	Sheet 5 of 12	

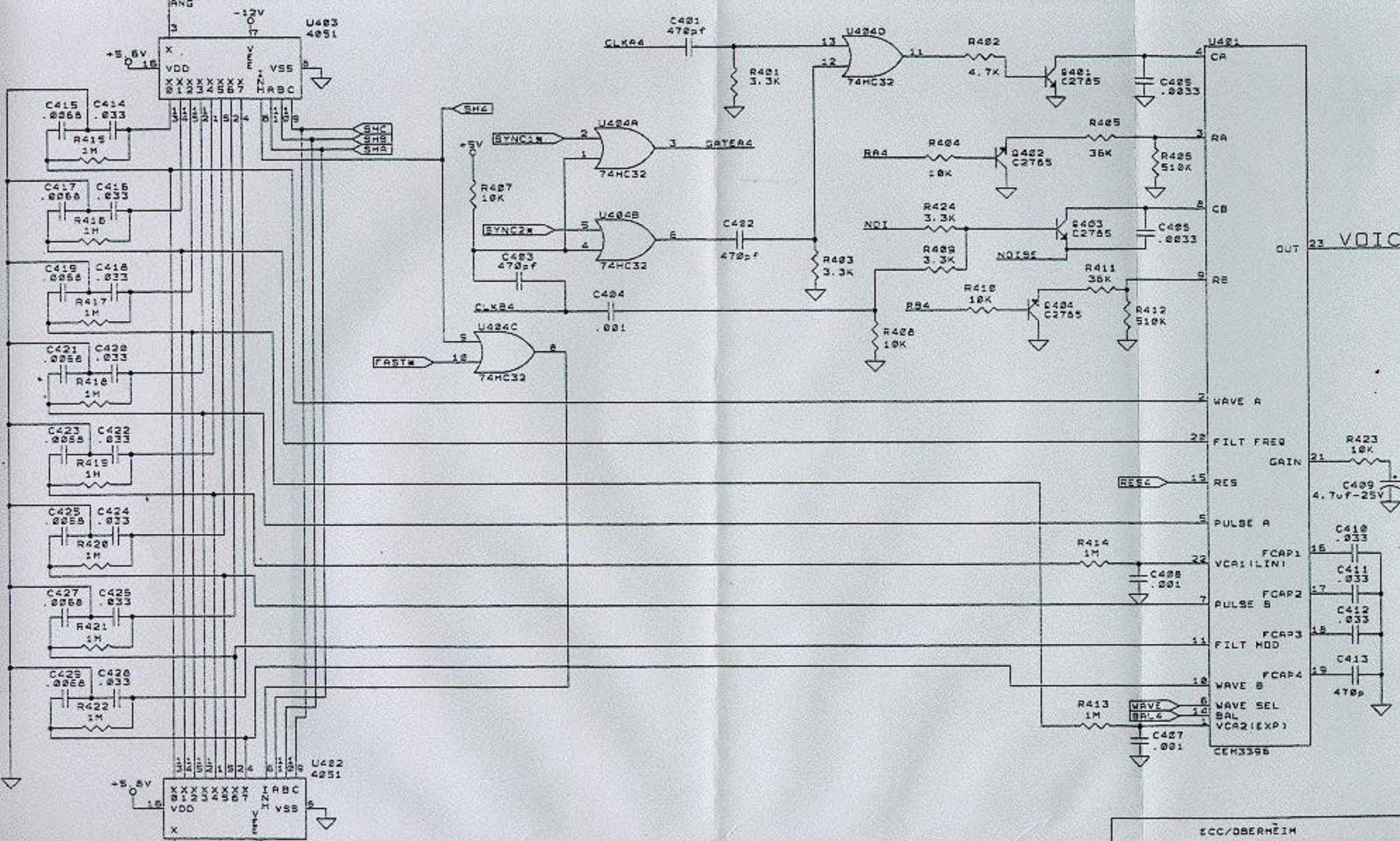


ECC/OBERHEIM  
 2015 Davis Ave.  
 Commerce, CA 92620-1704



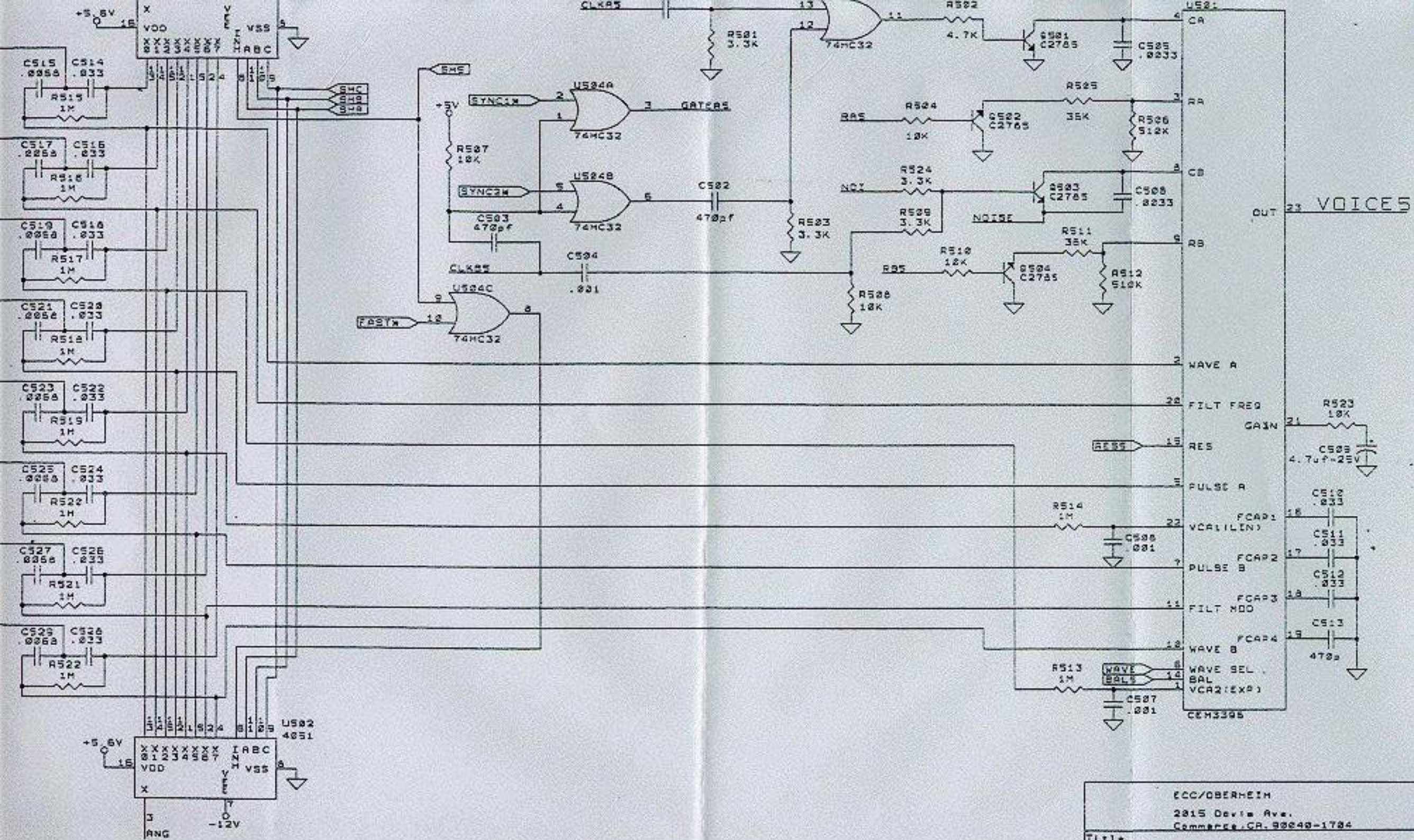


ECC/OBERHEIM  
 2815 Devle Ave.  
 Camarillo, CA. 92042-1785  
 Title

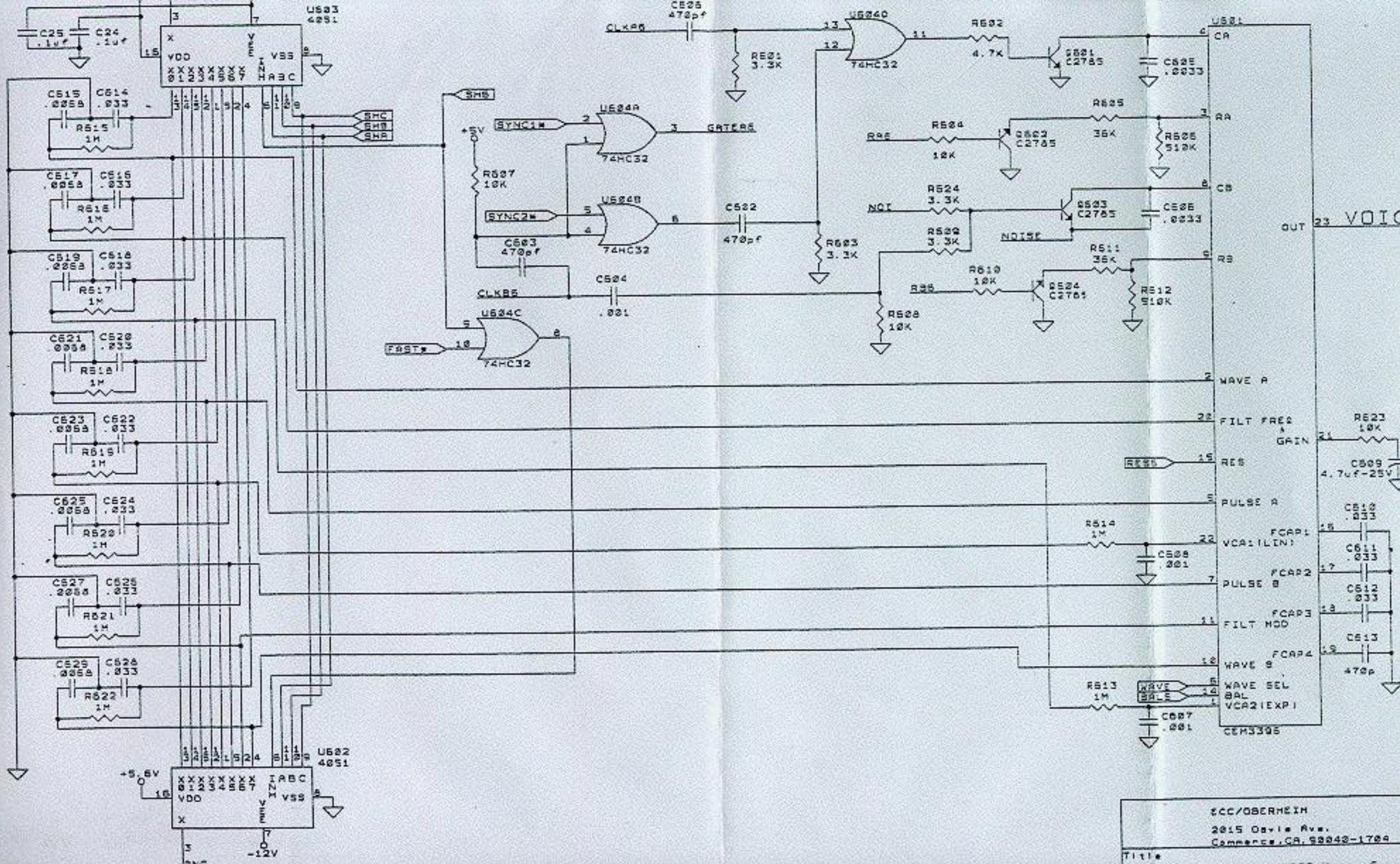


ECC/OBERHEIM  
 2815 Davis Ave.  
 Campbell, CA 92009-1784



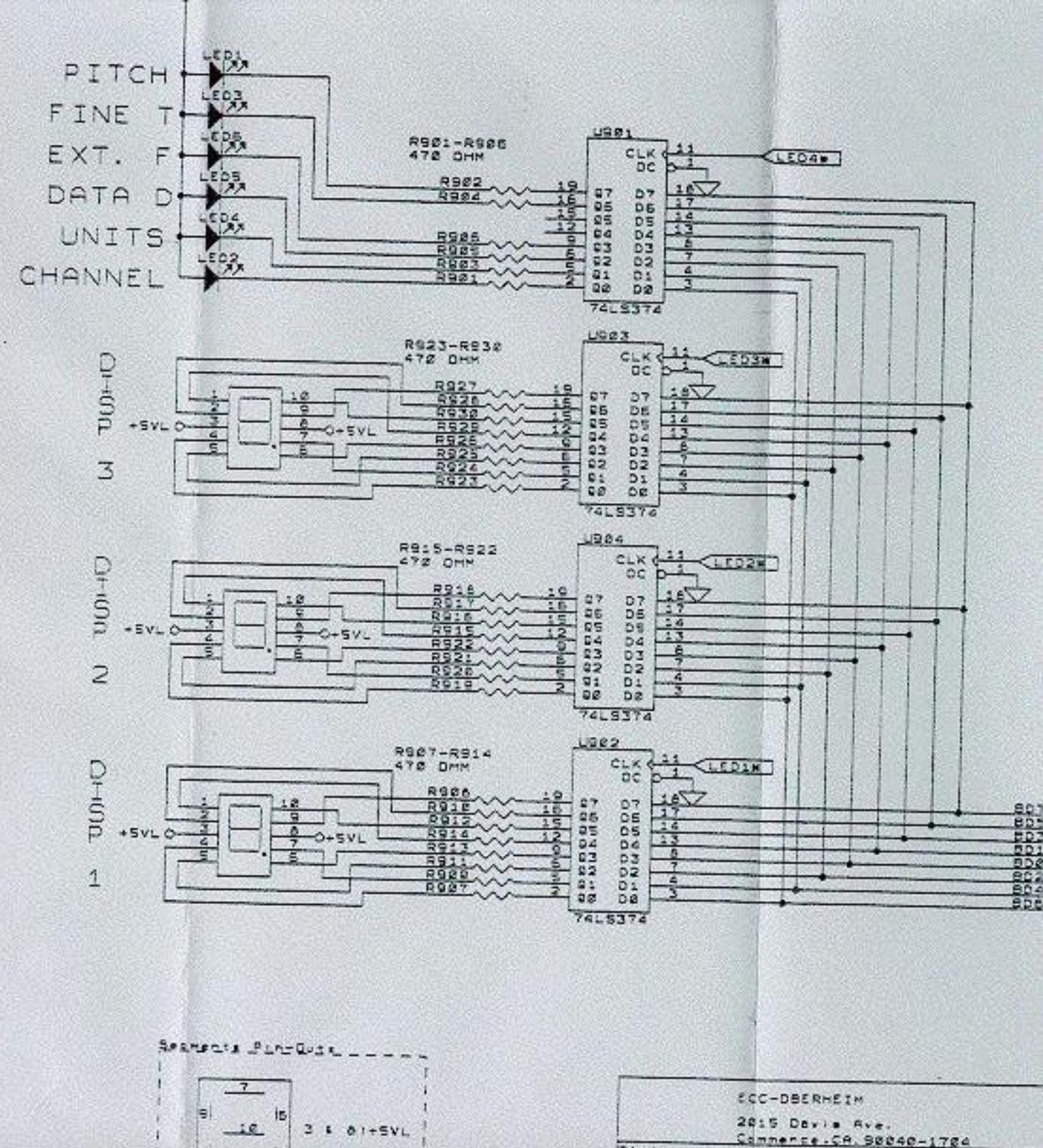
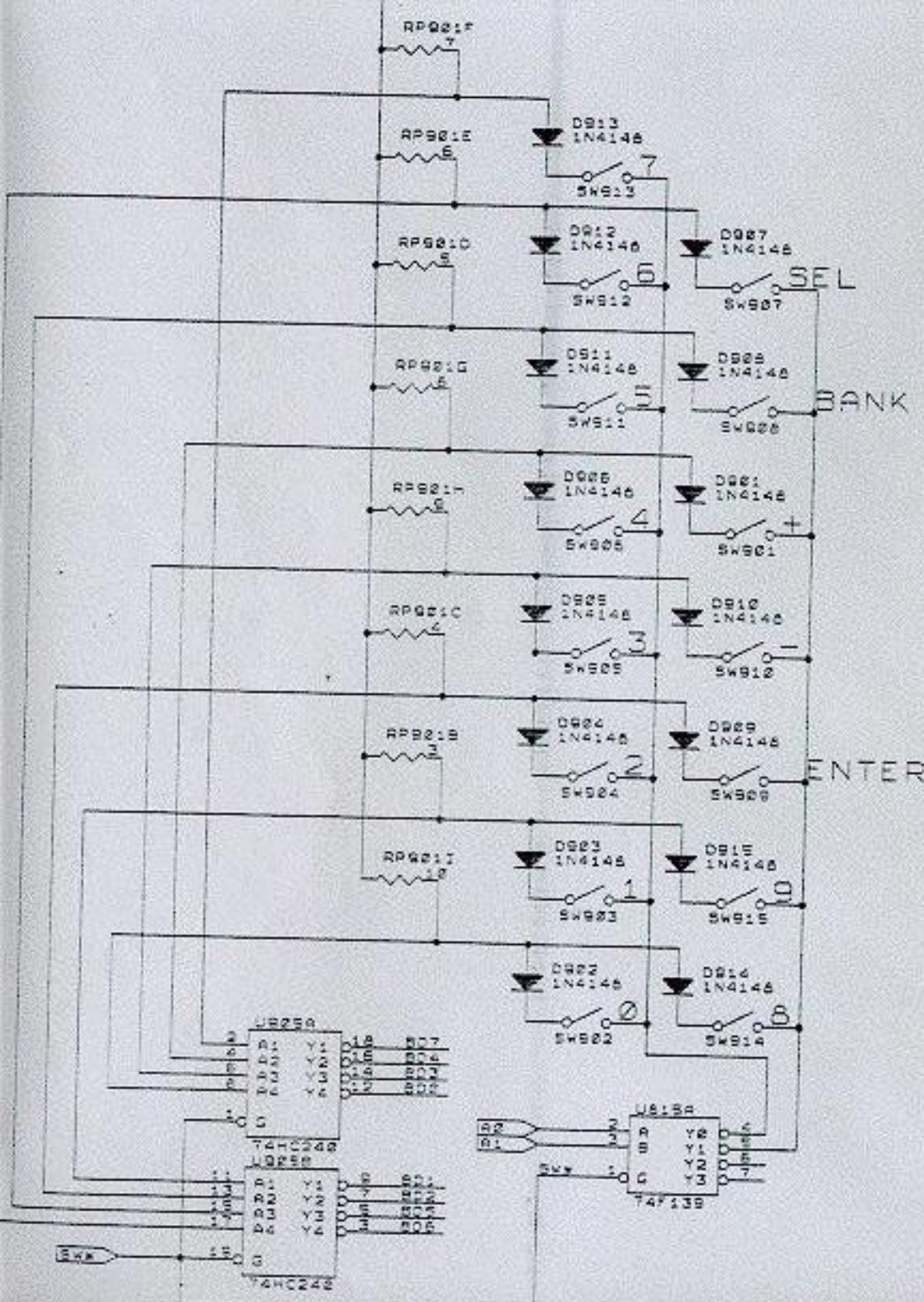


ECC/OBERHEIM  
 2815 Davis Ave.  
 Commerce, CA. 92040-1784  
 Title  
 Matrix-1002 Voice 5



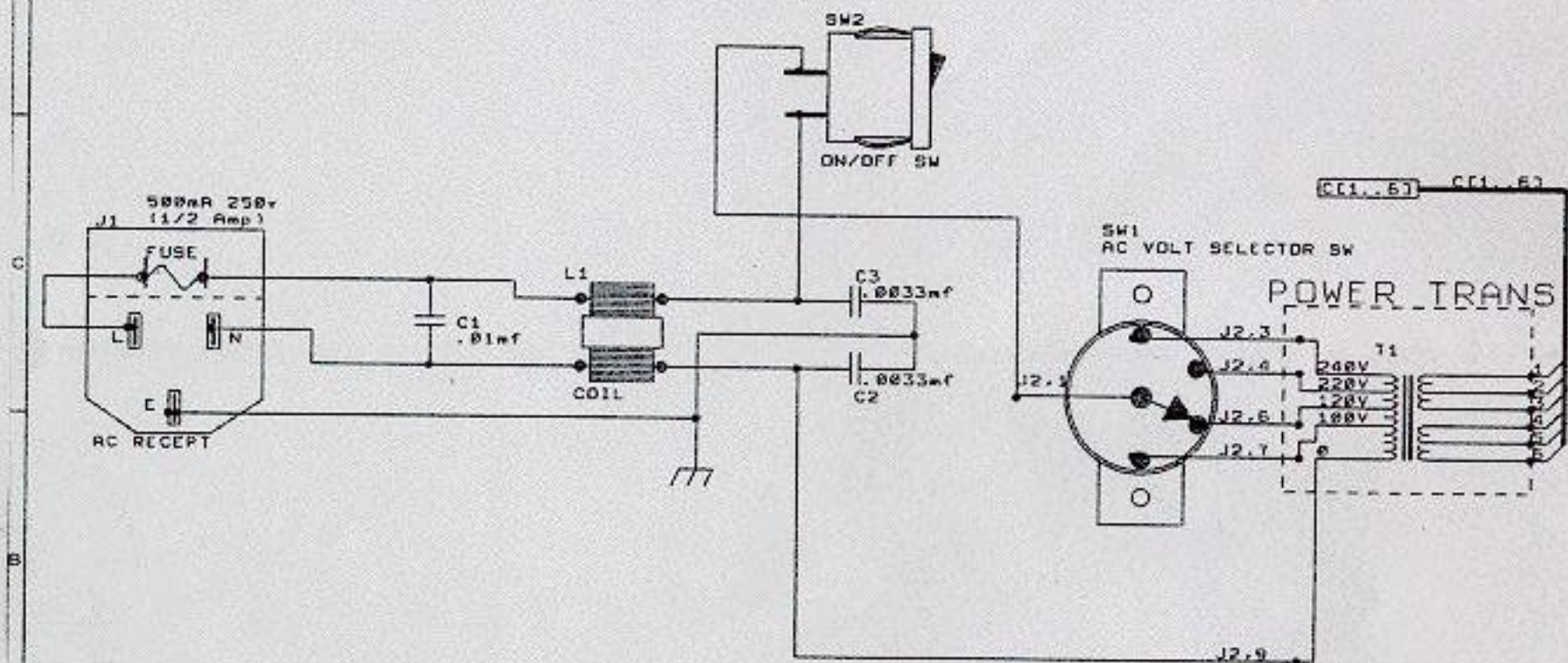
ICC/OBERHEIM  
 2015 Osyle Ave.  
 Camarillo, CA 93040-1709

Title



MATRIX-1000 FILTER (B)

\* USE AFTER SERIAL NUMBER 850000 \*



ECC/OBERHEIM  
2015 Davis Ave.  
Commer, CA. 90048-1704

Title  
MATRIX-1000 FILTER (B)

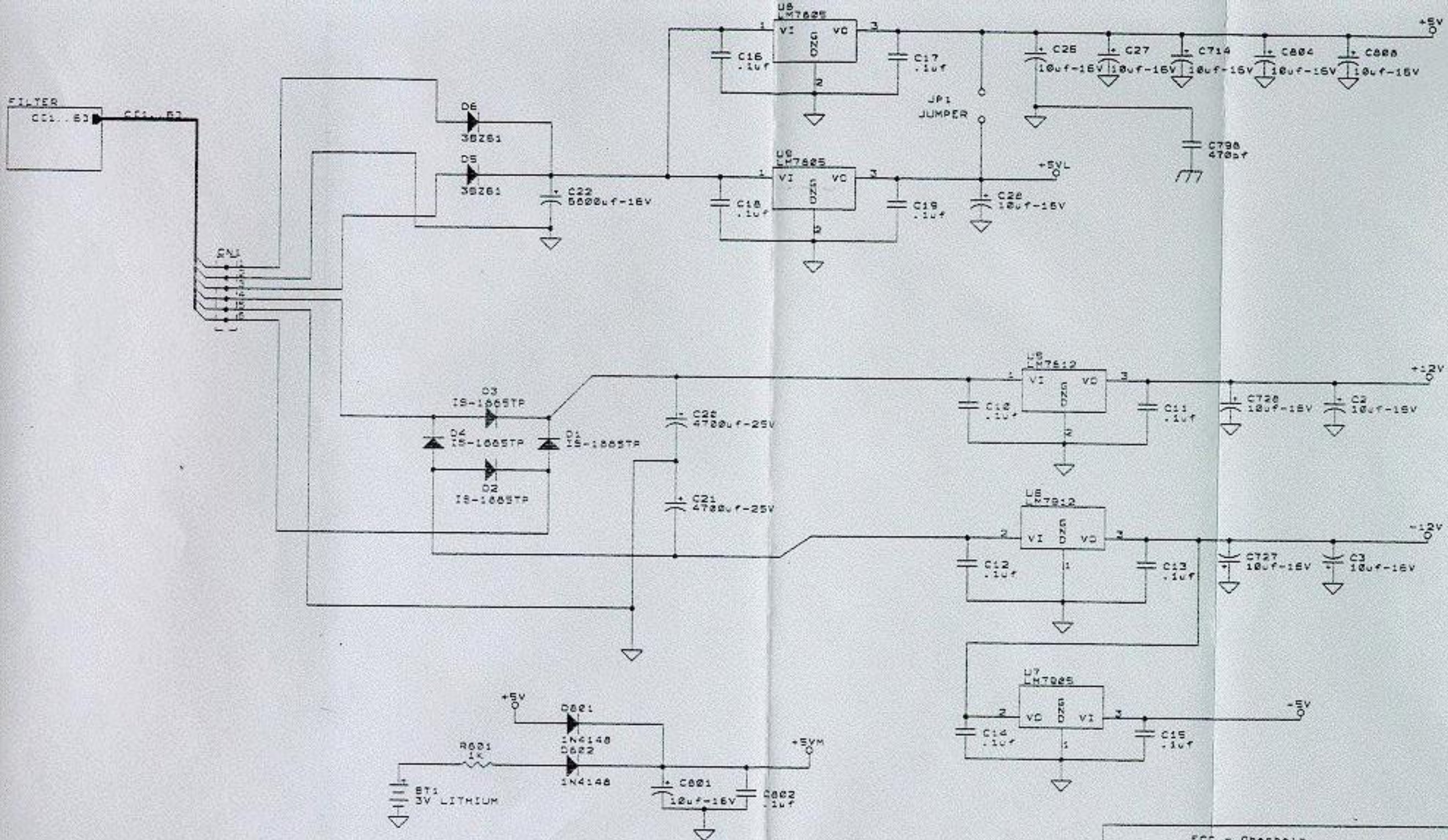
Size Document Number

A 2446

REV

B

Date: October 20, 1968 Sheet 1 of 1



ECC - Oberheim  
 2215 Devie Ave.  
 Carmel, CA 92040-1704

Title