

Roland

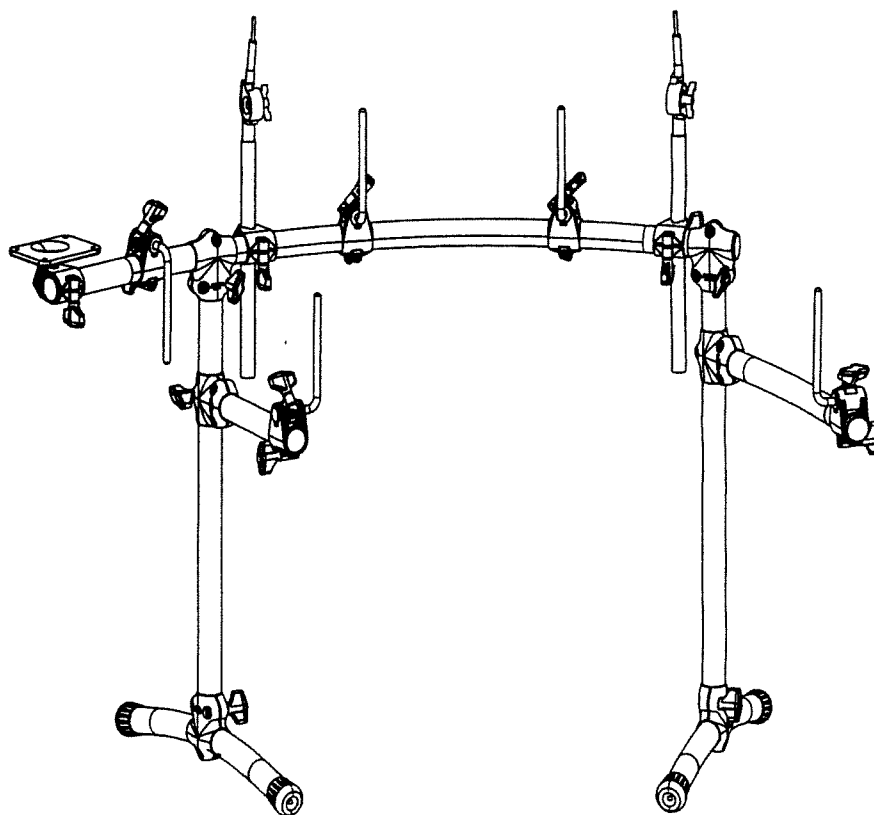
MDS-6SL

Drum Stand

OWNER'S MANUAL

Thank you and congratulations on your choice of the Roland Drum Stand MDS-6SL.

Before using this unit, carefully read the sections entitled: USING THE UNIT SAFELY and IMPORTANT NOTES. These sections provide important information concerning the proper operation of the unit. Additionally, in order to feel assured that you have gained a good grasp of every feature provided by your new unit, Owner's Manual should be read in its entirety. The manual should be saved and kept on hand as a convenient reference.



Copyright © 2003 ROLAND CORPORATION

All rights reserved. No part of this publication may be reproduced in any form without the written permission of ROLAND CORPORATION.

In the interest of product improvement, the specifications and/or appearance of this unit are subject to change without prior notice.

USING THE UNIT SAFELY

INSTRUCTIONS FOR THE PREVENTION OF FIRE, ELECTRIC SHOCK, OR INJURY TO PERSONS

About ⚠ WARNING and ⚠ CAUTION Notices

⚠ WARNING	Used for instructions intended to alert the user to the risk of death or severe injury should the unit be used improperly.
⚠ CAUTION	Used for instructions intended to alert the user to the risk of injury or material damage should the unit be used improperly. * Material damage refers to damage or other adverse effects caused with respect to the home and all its furnishings, as well to domestic animals or pets.

About the Symbols

	The ⚠ symbol alerts the user to important instructions or warnings. The specific meaning of the symbol is determined by the design contained within the triangle. In the case of the symbol at left, it is used for general cautions, warnings, or alerts to danger.
	The ⓧ symbol alerts the user to items that must never be carried out (are forbidden). The specific thing that must not be done is indicated by the design contained within the circle. In the case of the symbol at left, it means that the unit must never be disassembled.
	The symbol alerts the user to things that must be carried out. The specific thing that must be done is indicated by the design contained within the circle. In the case of the symbol at left, it means that the power-cord plug must be unplugged from the outlet.

ALWAYS OBSERVE THE FOLLOWING

⚠ WARNING

- ✖ Before using this unit, make sure to read the instructions below, and the Owner's Manual.
- ✖ Do not attempt to repair the unit, or replace parts within it (except when this manual provides specific instructions directing you to do so). Refer all servicing to your retailer, the nearest Roland Service Center, or an authorized Roland distributor, as listed on the Information page.
- ✖ Never use or store the unit in places that are:
 - ✖ Subject to temperature extremes (e.g., direct sunlight in an enclosed vehicle, near a heating duct, on top of heat-generating equipment); or are
 - ✖ Damp (e.g., baths, washrooms, on wet floors); or are
 - ✖ Humid; or are
 - ✖ Exposed to rain; or are
 - ✖ Dusty; or are
 - ✖ Subject to high levels of vibration.
- ✖ Make sure you always have the unit placed so it is level and sure to remain stable. Never place it on stands that could wobble, or on inclined surfaces.
- ✖ In households with small children, an adult should provide supervision until the child is capable of following all the rules essential for the safe operation of the unit.
- ✖ To prevent accidents, never allow small children to play near the stand.

⚠ CAUTION

- ✖ Never climb on top of, nor place heavy objects on the unit.
- ✖ Should you remove the bolts and washers, make sure to put them in a safe place out of children's reach, so there is no chance of them being swallowed accidentally.
- ✖ Make sure to firmly tighten all clamps and bolts after you have assembled the stand and attached a pad or unit to it. You should probably also try to make a habit of checking and retightening them if necessary before every performance. You risk injury if you have loose screws or clamps, since a pad or unit can fall unexpectedly.
- ✖ When setting up or storing the stand, be careful not to pinch the fingers you use to handle the stand.

IMPORTANT NOTES

In addition to the items listed under USING THE UNIT SAFELY on this page, please read and observe the following:

Placement

- ✖ Do not expose the unit to direct sunlight, place it near devices that radiate heat, leave it inside an enclosed vehicle, or otherwise subject it to temperature extremes. Excessive heat can deform or discolor the unit.

Maintenance

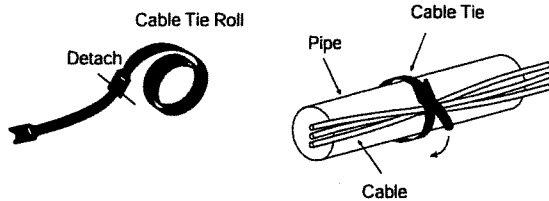
- ✖ For everyday cleaning wipe the unit with a soft, dry cloth or one that has been slightly dampened with water. To remove stubborn dirt, use a cloth impregnated with a mild, non-abrasive detergent. Afterwards, be sure to wipe the unit thoroughly with a soft, dry cloth.
- ✖ Never use benzene, thinners, alcohol or solvents of any kind, to avoid the possibility of discoloration and/or deformation.

Contents

Owner's Manual
Adjusting Tool



Cable Ties

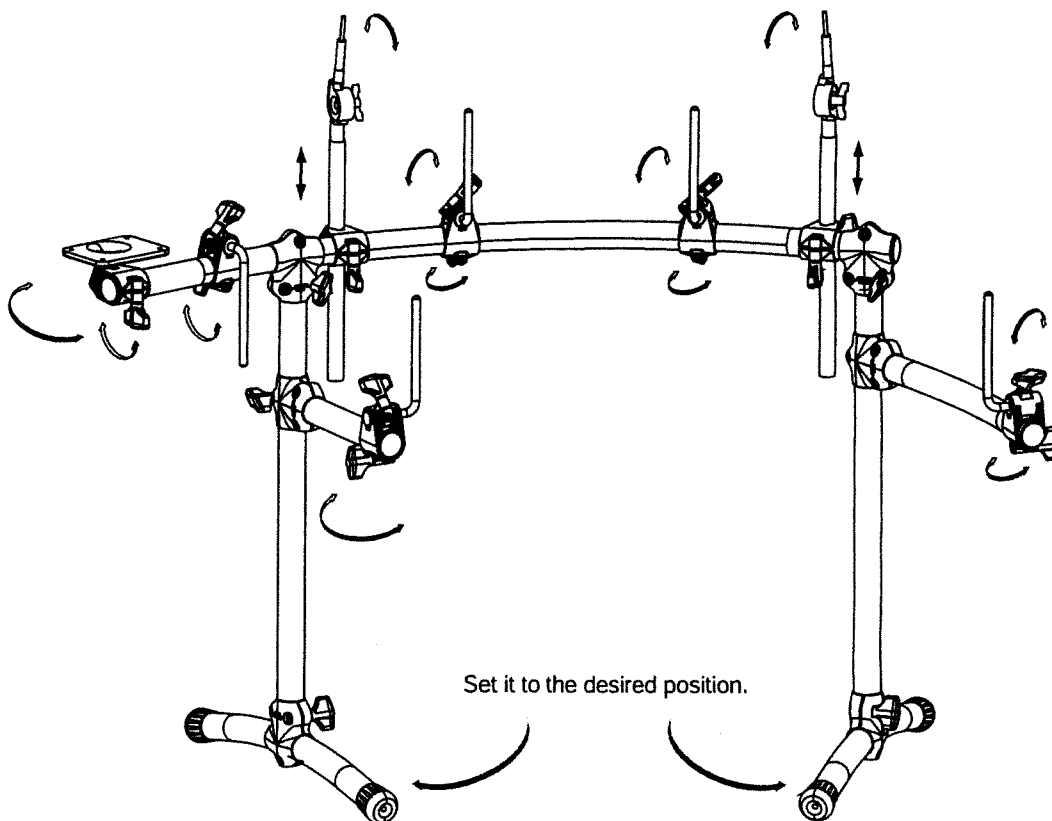


Assembling

Adjust the stand to any position desired by loosening the clamp knob or bolts and rotating the fittings. Be sure to re-tighten the clamp knobs and bolts when you achieve the setup you want.

* *Slight modifications may have been made in the parts making up the Drum Stand, so the illustration may not provide an exact depiction.*

Place pads, Cymbals and all components in a steady position on the stand. Improper placement of drum components can cause the stand to tip or fall down.



 Roland®

11332

UPC

11332



1898:

21

Roland