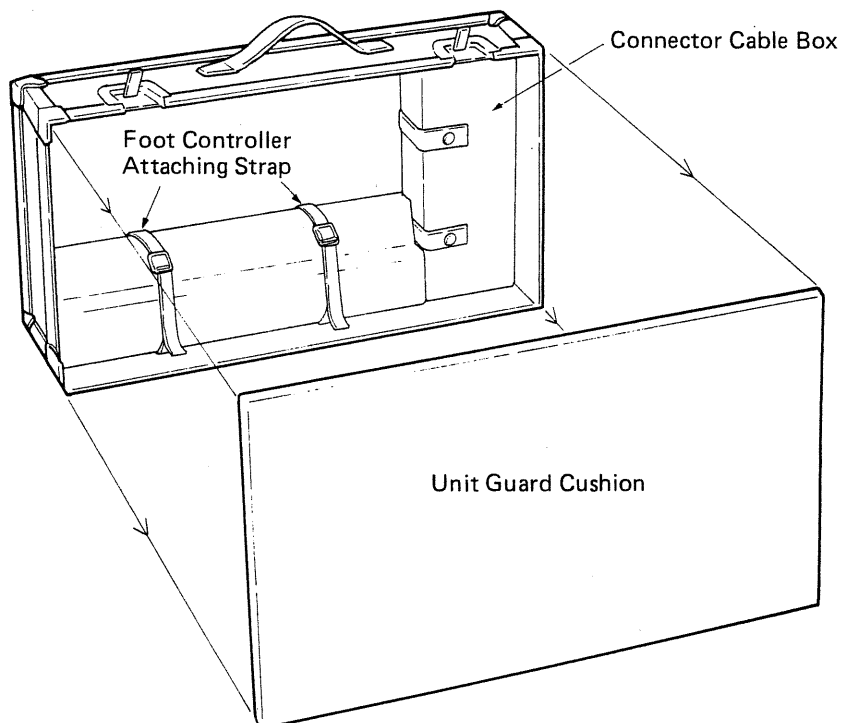
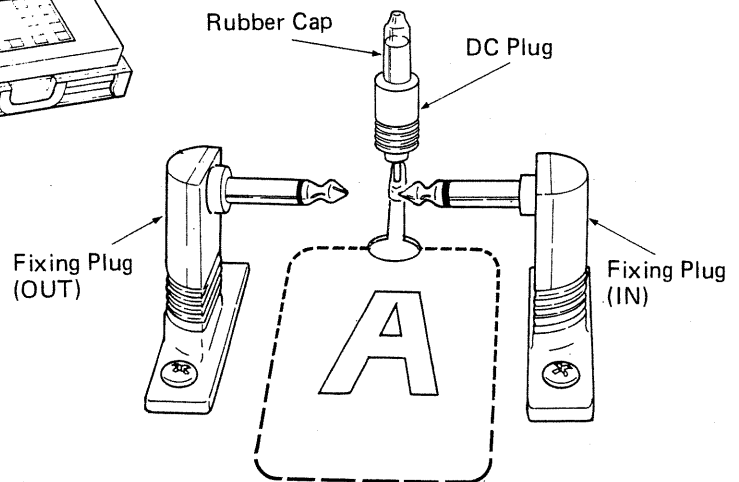
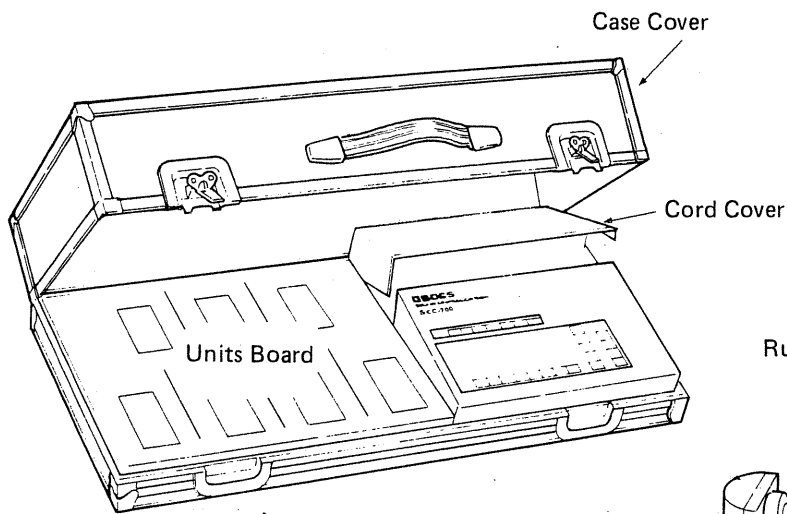


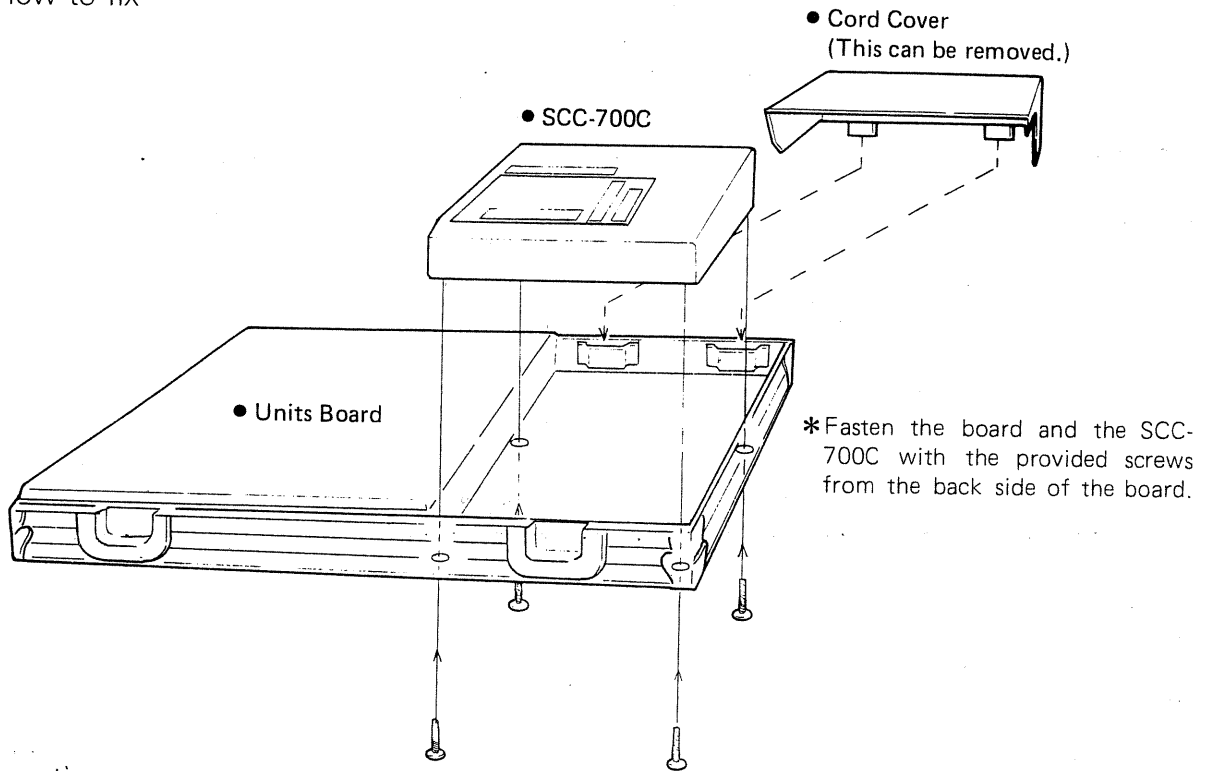
SCC-700B Roland Effects Board Instructions

■ Names

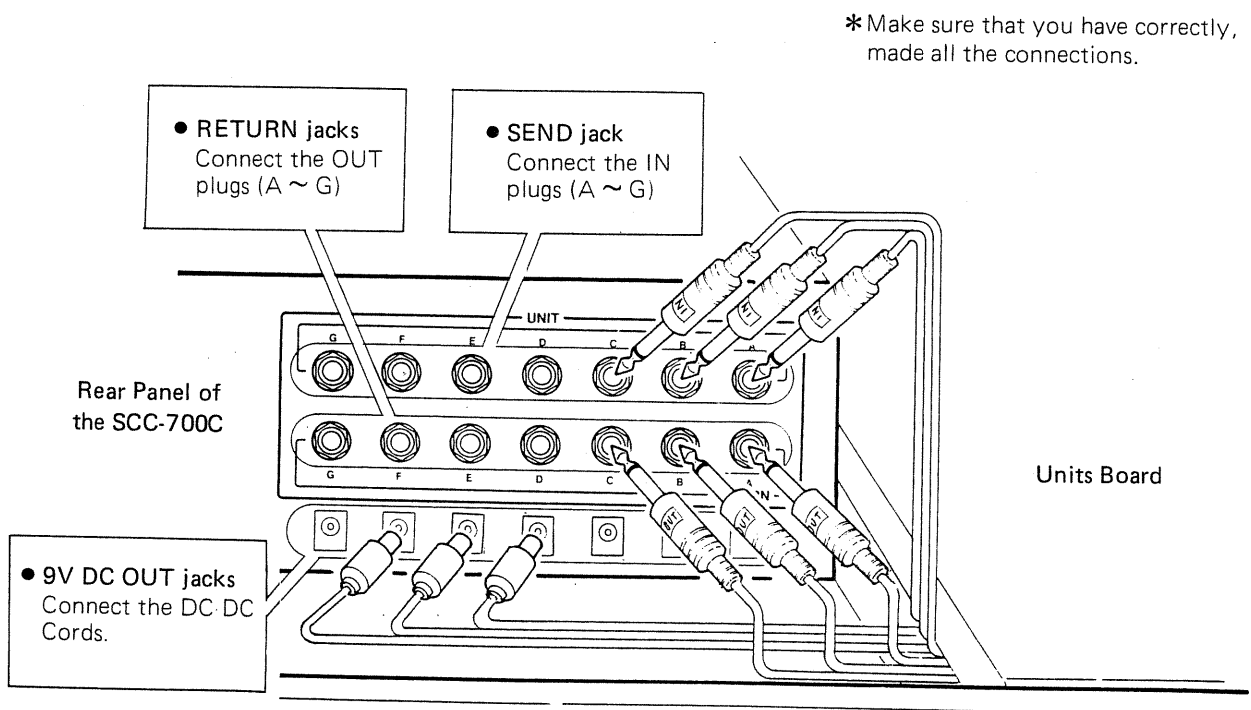
- If you have bought the SCC-700B (Roland Effects Board) and the SCC-700C as a set, please skip P.2 of this operation manual.



■ How to fix



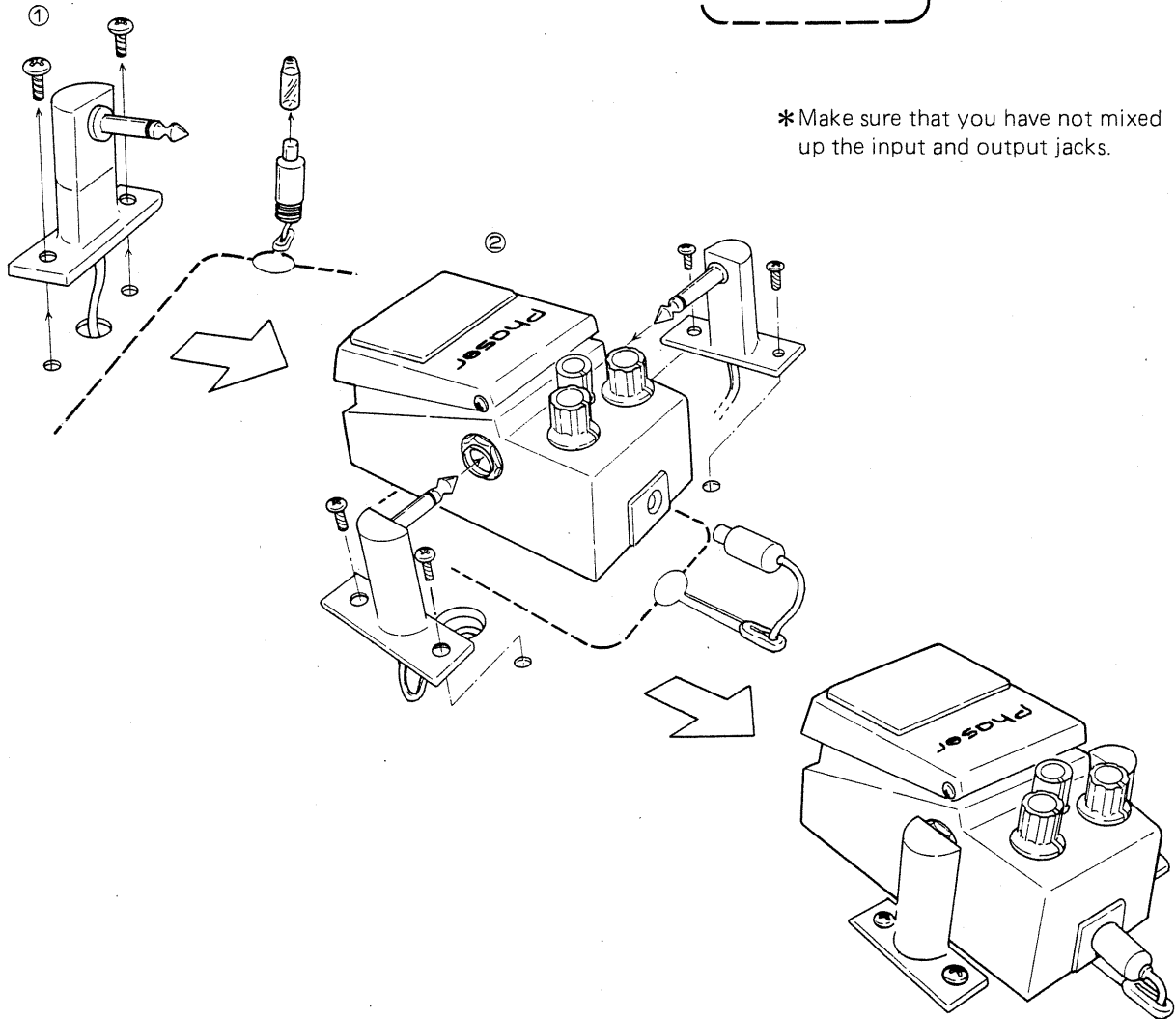
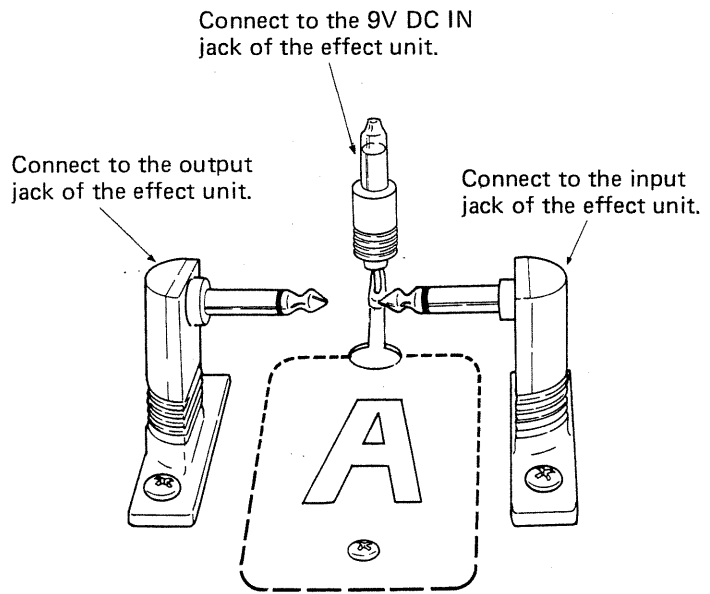
■ How to hook up



■ How to mount the Effect Unit

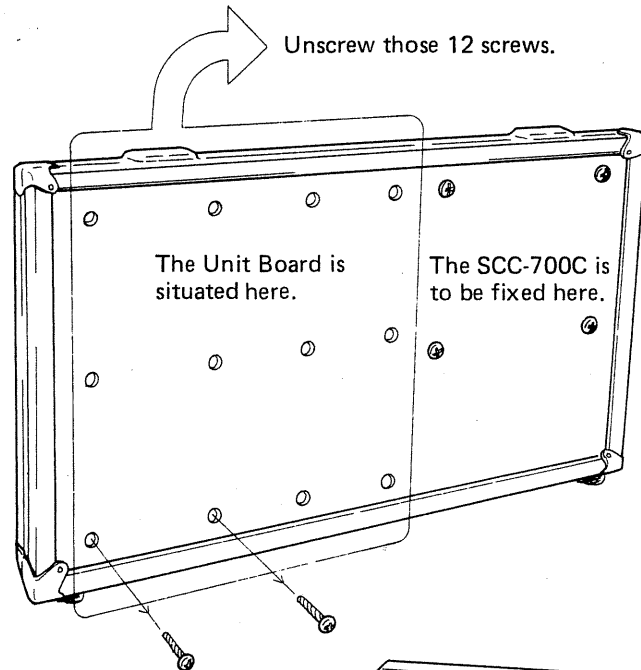
- First of all, read "9V DC OUT jacks" on P.5 in the SCC-700C owner's manual.

- ① Unscrew the Fixing Plug and remove the Rubber Cap of the DC Plug.
- ② Connect the plugs to the units and fasten the Fixing Plugs with the screws.



■ How to open the Units Boards

If you wish to open the Units Board for the replacement of the Unit Fixing Cord or DC cord, do as shown below.

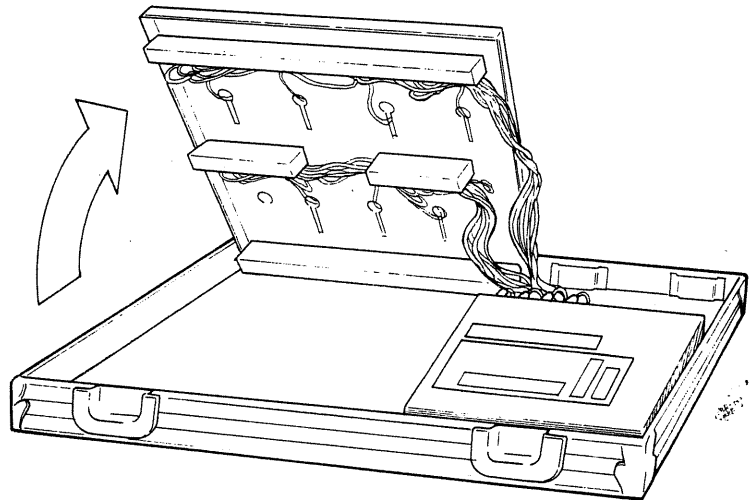


■ Specifications

- Dimensions: 210(H) x 820(W) x 440(D) mm/
8 1/4 x 32 1/4 x 17 1/4 inches
- Weight: 10.8 kg/23 lb 13 oz
(excluding the SCC-700C
& the SCC-700F)
- Accessories:

LI Cords	x 2
DC-DC Cord	x 4
Screws	x 4

(If you buy the SCC-700C and the SCC-700B as a set, they are already fixed, therefore no screw is provided.)



 **BOSS**
Products of Roland