

Roland

SYS-505

LIBRARY CONVERTER

Owner's Manual

for **S-50**

Roland Corporation

The SYS - 505 software for the S - 50 is included on a floppy disk which is to be inserted into the S - 50's disk drive.

SYS - 505 features the following three functions.

1. Library Converter

This function converts the S - 550/330's library disk into an S - 50 disk. Using this function, you can load data on the S - 550/330's sound disk into the S - 50.

2. Load Patch/Tone

When you load a patch, this function automatically loads tone parameters and wave data as well as the patch parameters. With the supplied software of the S - 50, you need to load patch parameters, then each tone (= tone parameters and wave data) of the patch.

3. System Command

This includes various functions: saving the sound data loaded in the S - 50's internal memory onto a disk, formatting a disk, changing the system to the S - 50's supplied system disk, and backing up the SYS - 505 system disk.

CONTENTS

How to boot up the S - 50 with the SYS - 505	5
Outline	6
1. Library Converter	8
1. Convert Disk	9
2. Convert Load	12
3. Save All	14
2. Load Patch/Tone	15
1. Load Patch/Tone	16
2. Save All	18
3. Delete All	19
3. System Commands	20
1. Disk Format	21
2. Backup of the SYS - 505 System Disk	22
3. Change system	23
Specifications	24

For users of the S – 50 with Ver.1.0 system disks

To utilize the SYS – 505, you need to update your system disk to Ver.2.0. All the S – 550/330 sound disks converted with the Library Converter function will be equivalent to Ver.2.0. The Load Patch function does not apply to loading data from S – 50 Ver.1.0.

To update your system disk to Ver.2.0, execute "Convert" (see page 113 in the S – 50 Ver.2.0 owner's manual) with "SYS – 502", the Ver.2.0 system disk for the S – 50.

CRT Display

This software requires a CRT display. (See page 9 in the S – 50 Ver.2.0 owner's manual.)

Caring for Your Floppy Disks

Although your 3.5 – inch floppy disks have protective cases, the actual recording medium is a thin coating of magnetic material on a flimsy plastic disk, and the recording density is very high. To prevent irretrievable loss of your valuable data, always handle your disks with the proper care.

Backup the SYS – 505 system disk.

Backing up the SYS – 505 system disk will retain the sound data in the S – 50's internal memory, therefore, it is not necessary to save the sound data before taking the backup procedure. How to back up a disk is explained on page 22.

How to boot up the S – 50 with the SYS – 505

Before you switch on the unit, check the following points :

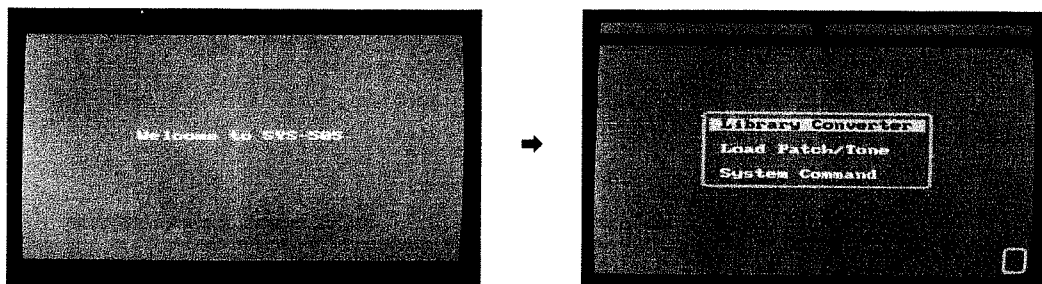
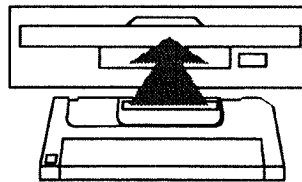
- (1) the unit is set up correctly with the other devices.
- (2) no disk is inserted into the disk drive.

Procedure 1 Switch on the Display.

Procedure 2 Switch on the S – 50.

The Display shows the message “Please Insert System Disk”, and the indicator of the floppy disk drive lights up.

Procedure 3 Make sure that the protect tab on the SYS – 505’s system disk is set to the PROTECT position, and insert the disk into the disk drive.



When the system program has been correctly loaded, the Display shows the names of the three modes. This is the basic display of this system, where you select a mode.

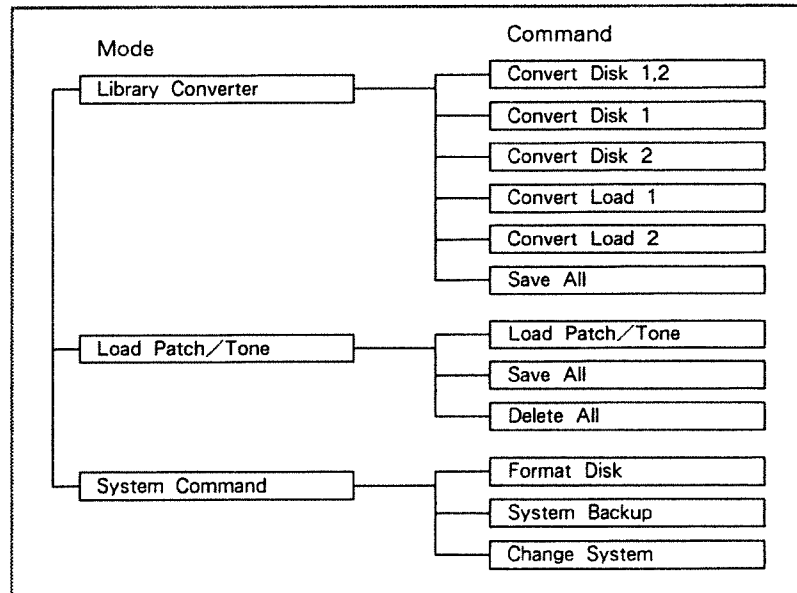
*Do not remove the disk or turn the unit off until the basic display appears. It may damage the floppy disk permanently.

*When editing sound data in the internal memory with the S – 50 Ver.2.0 system, you can move to the SYS – 505 system leaving sound data in the internal memory intact, using the “Change SYS” function.

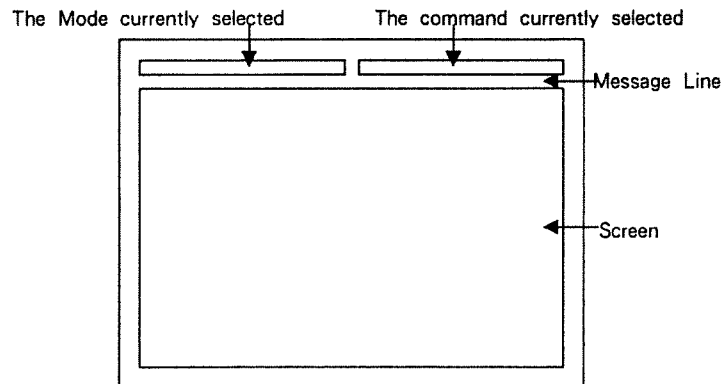
OUTLINE

1. The three Modes of SYS – 505

Each of the three Modes has several commands.



2. Display Layout

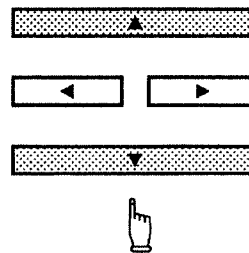
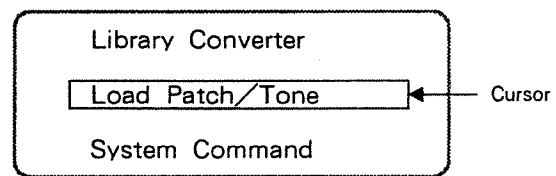


3. Basic Procedure

SYS - 505 requires only four buttons : the upper and lower Cursor buttons, ENTER button and 0 button.

■ Selecting a Mode, Command or Patch Name.

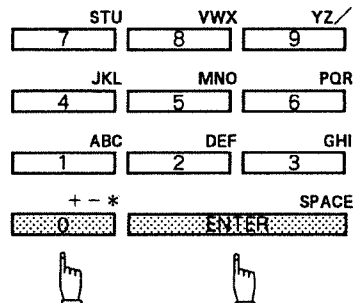
Use the upper and lower Cursor buttons.



■ Executing and canceling

If you wish to enter the mode, command, or patch name where the cursor currently resides, press the ENTER button.

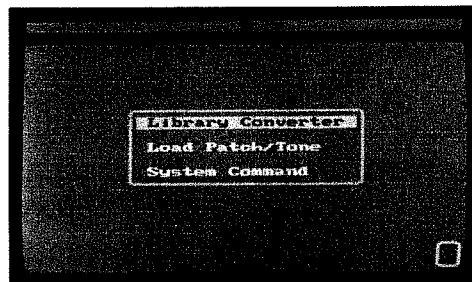
To cancel and leave the current mode or command, press the 0 button.



1. LIBRARY CONVERTER

Library Converter Mode

- Step 1 Call the basic display. (press the 0 button until the basic display is called,)



- Step 2 Move the cursor to "Library Converter", and press the ENTER button.

This Mode provides the following three functions :

1. **Convert Disk** Page 9
This function loads sound data from the S - 550/330 disk into the S - 50, then saves it onto a disk formatted with the S - 50 Ver.2.0.
2. **Convert Load** Page 12
This function loads sound data from the S - 550/330 disk into the S - 50.
3. **Save All** Page 14
This function saves the sound data loaded into the internal memory onto a disk formatted with the S - 50 Ver.2.0.

The Difference between an S - 50 disk and an S - 550/330 disk

*The S - 50 disk can store up to 8 patches (P1 - P8) while the S - 550/330 disk can store 16 patches (P11 - P18, P21 - P28).
Therefore, to convert the patches on the S - 550/330 for the S - 50, two disks are needed.

*Wave data is read in the same way on the S - 50 and S - 550/330, but the converted patches may sound different because they features different parameters, e.g., a TVF function is added to the S - 550/330. Also, Tone 11 or 48, which may not sound in the S - 550/330, could sound on the S - 50.

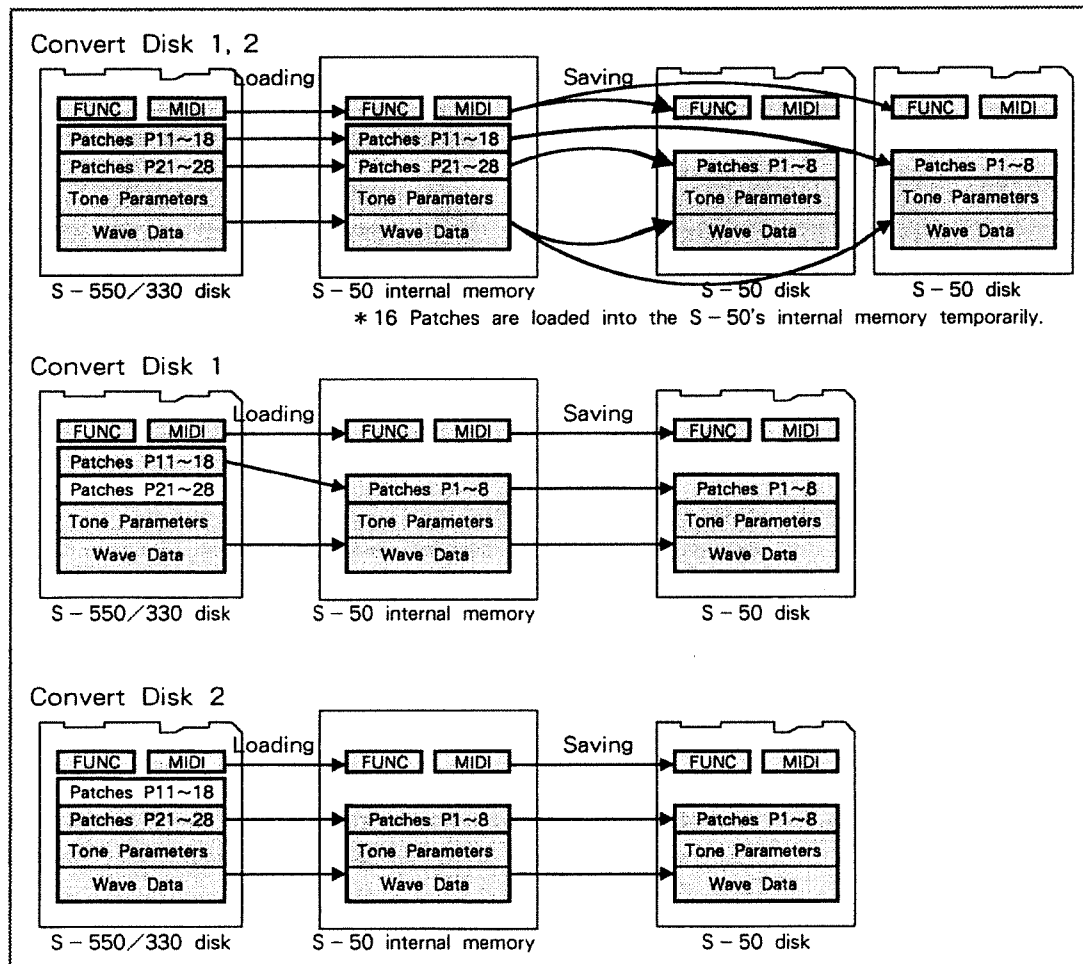
1. Convert Disk

This function loads sound data from the S-550/330 disk, modifies it so that it will work properly on the S-50, then saves it onto a disk formatted with S-50 Ver.2.0.

Convert Disk 1, 2 Use this function to convert all the patches (P11 - P18, P21 - P28) on the S-550/330 disk for the S-50.

Convert Disk 1 Use this function to convert P11 to P18 patches on the S-550/330 disk for the S-50.

Convert Disk 2 Use this function to convert P21 to P28 patches on the S-550/330 disk for the S-50.



LIBRARY CONVERTER

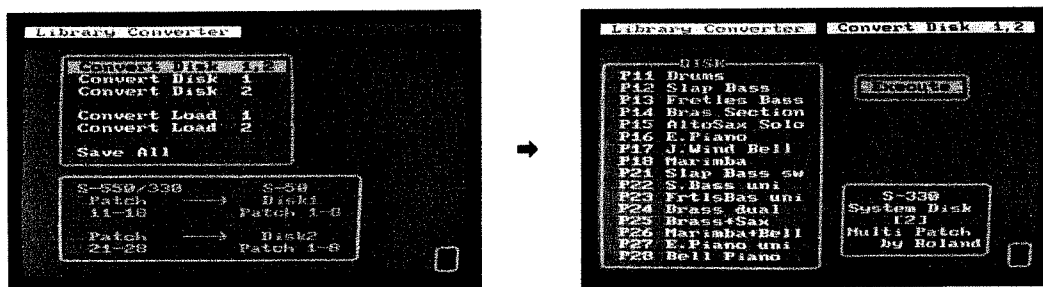
Procedure for Convert Disk 1, 2

*Prepare two new disks which have been formatted (see page 110 in the S-50 Ver.2.0 owner's manual) with S-50 Ver.2.0.

*The Multi Patch you have set on the S-550/330 will remain if it corresponds to S-50 Ver.2.0. If not, it is initialized and returned to the default setting.

Step 1 Select the Library Converter Mode (see page 8) and insert the S-550/330 disk.

Step 2 Move the cursor to "Convert Disk 1,2" and press the ENTER button.



The disk label and patch list are shown in the display.
*Pressing the 0 button will return to the previous display.

Step 3 Press the ENTER button.
The display shows the message "Now Loading", and the sound data is loaded.

Step 4 When the message "Insert New S-50 Disk" appears, insert a disk formatted with S-50 Ver.2.0 (with the protect tab set to the WRITE position) into the disk drive.

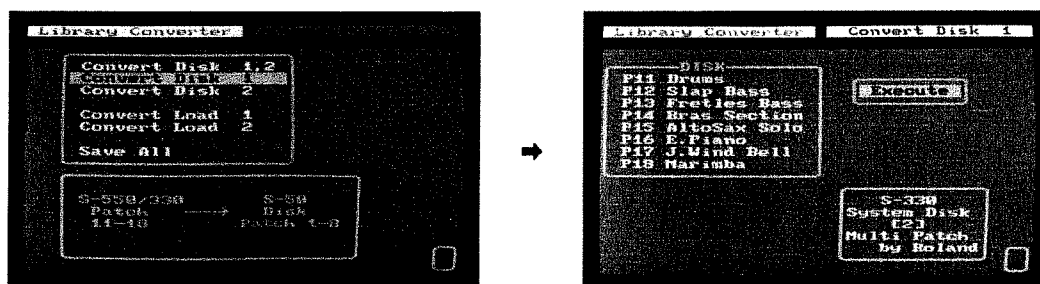
Step 5 When the data is saved onto the disk, "Insert Next Disk" appears. Insert the second disk formatted with S-50 Ver.2.0 into the disk drive.

When saved, the command selection display is recalled.

Procedure for Convert Disk 1 and Convert Disk 2

*Prepare a new disk which has been formatted (see page 110 in the S-50 Ver.2.0 owner's manual) with S-50 Ver.2.0.

- Step 1 Select the Library Converter Mode (see page 8) and insert the S-550/330 disk.
- Step 2 Move the cursor to "Convert Disk 1" or "Convert Disk 2" and press the ENTER button.



The disk label and patch list are shown in the display.

*Pressing the 0 button will return to the previous display.

- Step 3 Press the ENTER button.

The display shows the message "Now Loading", and the sound data is loaded.

- Step 4 When the message "Insert New S-50 Disk" appears, insert a disk formatted with S-50 Ver.2.0 (with the protect tab set to the WRITE position) into the disk drive.

When saved, the command selection display is recalled.

2. Convert Load

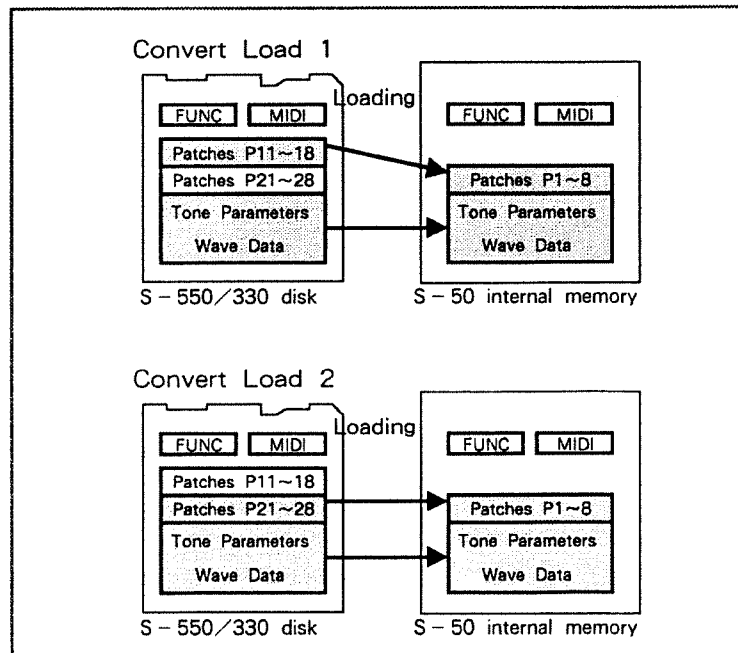
This function loads sound data from an S-550/330 disk into the S-50, modifying the parameters so that the data will work properly on the S-50.

Convert Load 1

Use this function to load P11 to P18 patches on the S-550/330 disk to the S-50.

Convert Load 2

Use this function to load P21 to P28 patches on the S-550/330 disk to the S-50.



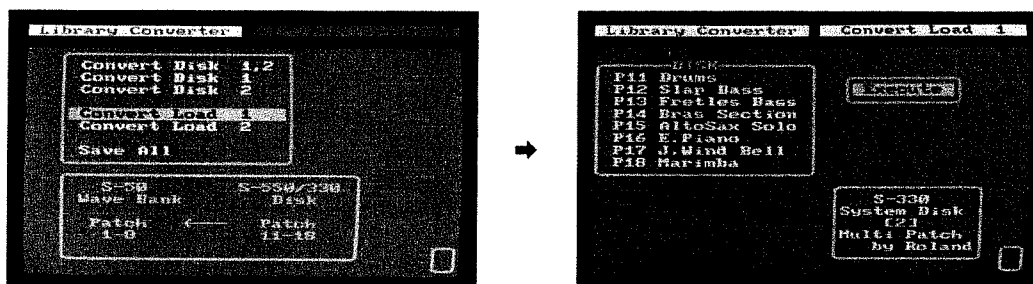
*To save the sound data loaded in the S-50 onto a disk, execute "Save All".

*To edit the sound data loaded in the S-50, move to the S-50 Ver.2.0's system using the "Change System" function, edit the sound data, then save it onto a disk with the "Save All" function.

Procedure for Convert Load 1 and Convert Load 2

Step 1 Select the Library Converter Mode (see page 8) and insert the S-550/330 disk.

Step 2 Move the cursor to "Convert Load 1" or "Convert Load 2" and press the ENTER button.



The disk label and patch list are shown in the display.

* Pressing the 0 button will call the previous display.

Step 3 Press the ENTER button.

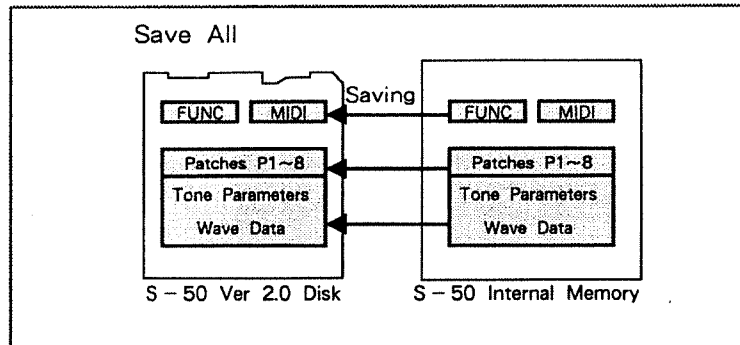
The display shows the message "Now Loading", and the sound data is loaded.

When loaded, the command selection display is recalled.

3. Save All

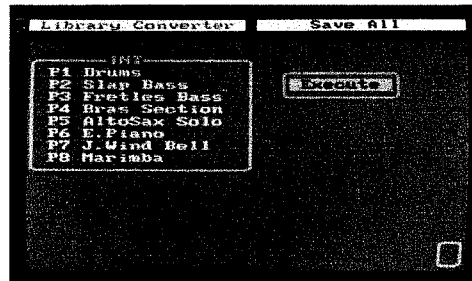
This function saves the sound data loaded in the S-50 onto a disk formatted with S-50 Ver.2.0,

*Prepare a new disk which has been formatted (see page 110 in the S-50 Ver.2.0 owner's manual) with S-50 Ver.2.0.



Procedure for Save All

- Step 1 Set the protect tab on the disk formatted with S-50 Ver.2.0 to the WRITE position and insert it into the disk drive.
- Step 2 Select the Library Converter Mode (see page 8), move the cursor to "Save All" and press the ENTER button.



The patch list is shown in the display.

*Pressing the 0 button will recall the previous display.

- Step 3 Press the ENTER button.

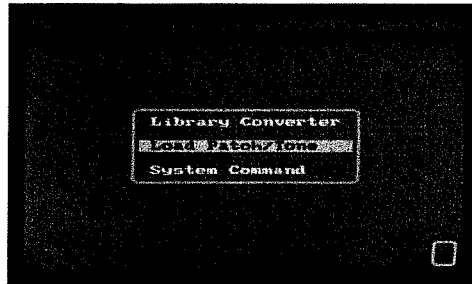
The display shows the message "Now Saving", and the sound data is saved.

When saved, the command selection display is recalled.

2. LOAD PATCH/TONE

Load Patch/Tone Mode

- Step 1 Call the basic display.(press the 0 button until the basic display is called.)



- Step 2 Move the cursor to "Load Patch/Tone" and press the ENTER button.

The Load Patch/Tone Mode provides the following three functions :

1. **Load Patch/Tone**..... P. 16
This loads a patch from a sound disk of the S-50 Ver.2.0. The tones that belong to the patch are loaded together with the patch.
2. **Save All** P. 18
This saves the sound data loaded in the S-50 onto a disk formatted with S-50 Ver.2.0. Use this function to save the data in the internal memory after executing the "Load Patch/Tone" function.
3. **Delete All** P. 19
This deletes the sound data in the S-50's internal memory. Before executing "Load Patch/Tone", you may wish to delete data in the internal memory using this function.

1. Load Patch/Tone

This can load Tones (Tone Parameters and Wave Data) assigned to a Patch with Patch Parameters in empty space as much as possible but without erasing the existing Tones in the internal memory. Therefore, when a destination Patch has been used, Patch Parameters will be replaced with those of the loaded Patch, while Tones used in the Patch will remain intact. The destination Tone Numbers are basically the same as the Tone numbers of the Tones to be loaded.

When the same Tone Numbers used in the Patch to be loaded are used in the internal memory

The S - 50 searches and loads unused Tone numbers. Patch Parameters will be rewritten, therefore, it is not necessary to change the Split settings.

When the Tones used in the Patch to be loaded is larger than that of the number of unused Tones

"Memory full" is shown in the Display and loading is not executed.

When the Wave Data of the Tones to be loaded is larger than the empty space of the Wave Bank in the internal memory

Tone number 11 is loaded first then any following numbers. When wave bank A is full, wave bank B will be automatically used. When wave bank B is full, the message "Memory full" appears in the display, and loading stops, all the tones loaded so far being erased. Then the unit is returned to the previous condition before executing this command.

If this happens, delete all the data in the internal memory using the Delete All function (page 20) or move to the S - 50 Ver.2.0 system using the Change System function (page 23) and delete unnecessary data in memory (see page 65 in the S - 50 Ver.2.0 owner's manual). Then execute the command again.

Loading two Patches from the same disk

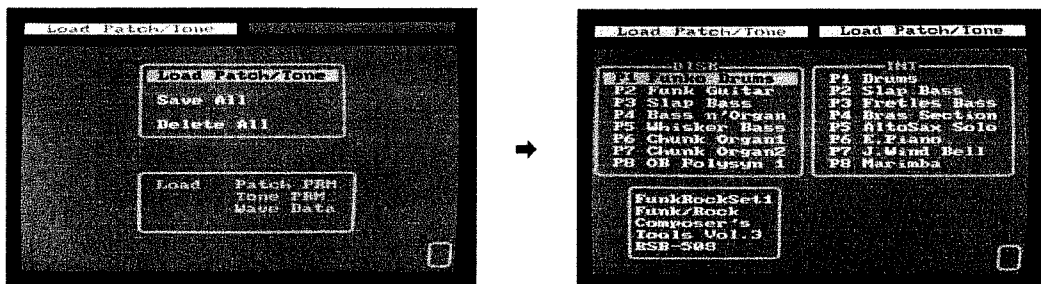
When the same Tone is used for two Patches, it will be loaded twice.

Loading Sub Tones

When loading the Sub Tone and its Original Tone in the same Patch, the Sub Tone will automatically become the Sub Tone related to the Original Tone. When loading a Sub Tone whose Original Tone is not used in the same Patch, the Original Tone related to the Sub Tone will also be automatically loaded.

Procedure for Load Patch/Tone

- Step 1 Insert the S-50 Ver.2.0 disk which contains the patch you wish to load.
- Step 2 Select the Load Patch/Tone Mode (see page 15), move the cursor to "Load Patch/Tone" then press the ENTER button.



The disk label and the patch list of the internal memory and the disk are shown in the display.

- Step 3 Select the patch to be loaded with the cursor buttons, then press the ENTER button.

*Pressing the 0 button will recall the previous display.

- Step 4 Move the red cursor in the patch list of the internal memory to select the destination patch number where the source patch is to be loaded, and press the ENTER button.

The message "Now Loading" appears in the display, and the patch parameters of the selected patch, original tones, then sub tones will be loaded.

The display shows how the loading is proceeding.

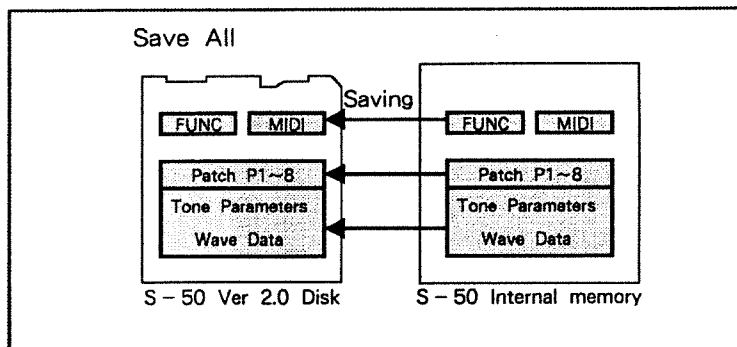
- Disk The tones used in the patch currently being loaded are indicated as "Org" or "Sub".
- Internal The tones currently being used are indicated as "---", and the ones not being used as "***".

When loaded, the command selection display is recalled.

2. Save All

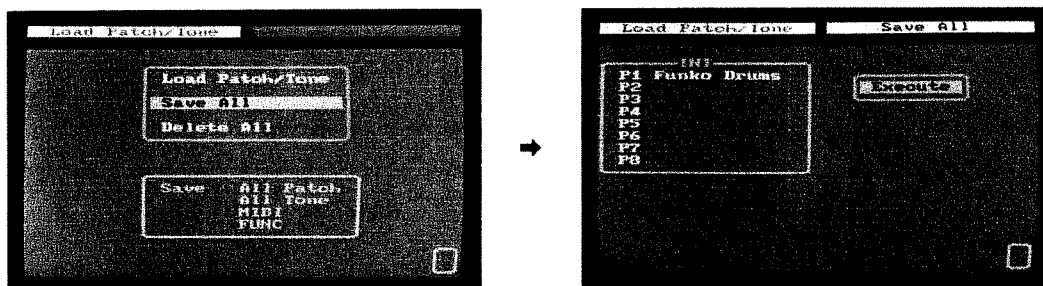
The sound data loaded in the internal memory can be saved onto a disk formatted with S-50 Ver.2.0.

*Prepare a new disk which has been formatted (see page 110 in the S-50 Ver.2.0 owner's manual) with S-50 Ver.2.0.



Procedure for Save All

- Step 1 Set the protect tab on the disk formatted with S-50 Ver.2.0 to the WRITE position, and insert it into the disk drive.
- Step 2 Select the Load Patch/Tone Mode (see page 15), move the cursor to "Save All" and press the ENTER button.



The patch of the internal memory is shown in the display.

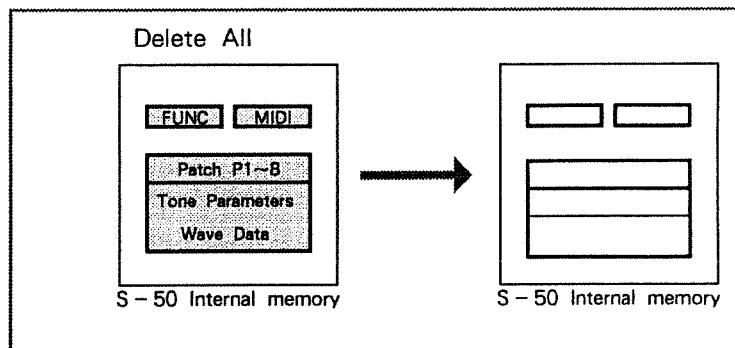
* Pressing the 0 button will recall the previous display.

- Step 3 Press the ENTER button.
The display shows the message "Now Saving", and the sound data is saved.

When saved, the command selection display is recalled.

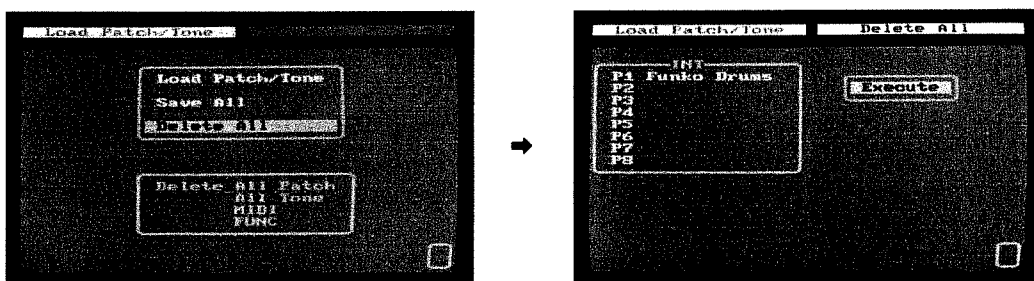
3. Delete All

This erases the entire data in the S-50's internal memory.



Procedure for Delete All

- Step 1 Select the Load Patch/Tone Mode (see page 15), move the cursor to "Delete All" and press the ENTER button.



The patch list of the internal memory is shown in the display.

* Pressing the 0 button will recall the previous display.

- Step 2 Press the ENTER button.

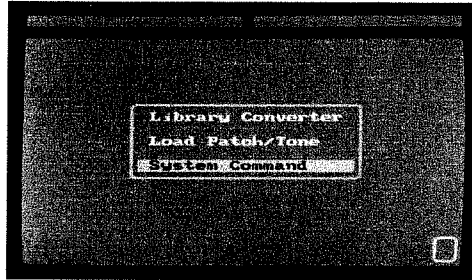
The display shows the message "Working", and the sound data is deleted.

When deleted, the command selection display is recalled.

3. SYSTEM COMMANDS

System Command Mode

- Step 1 Select the basic display.(press the 0 button until the basic display appears.)



- Step 2 Move the cursor to "System Command" and press the ENTER button.

The System Command Mode provides the following three functions :

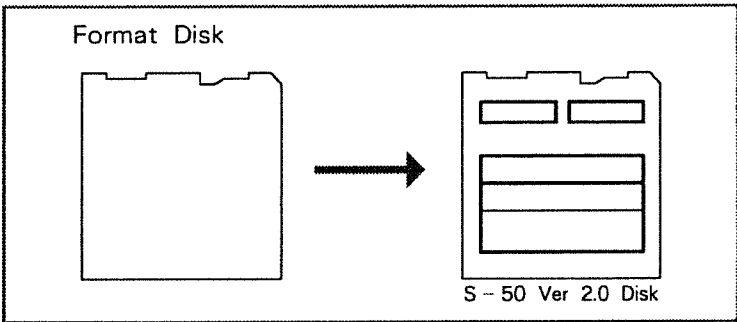
- 1. Format Disk** Page 21
This function formats a disk so that it can be used with S - 50 Ver.2.0 system. This function, however, does not save the system program of the S - 50 Ver.2.0, therefore the formatted disk cannot boot up the S - 50. To make a system disk, execute "Save SYS" in the DISK mode of S - 50 Ver.2.0.
- 2. System Backup** Page 22
This function makes a backup of the SYS - 505's system disk.
- 3. Change SYS** Page 23
This function moves to the S - 50 Ver.2.0's system or "DIRECTOR - S" SYS - 503's system.

1. Format Disk

To save sound data onto a brand new disk, or a disk used for another system, you should format the disk first. Formatting a disk, however, will erase any existing data on the disk.

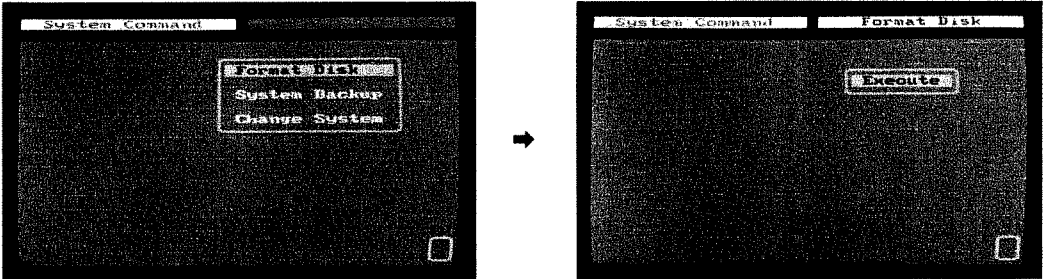
*This formatting function does not save the system program of the S-50 Ver.2.0, therefore the formatted disk cannot boot up the S-50. To make a system disk, execute "Save SYS" in the DISK mode of the S-50 Ver.2.0.

*Use Roland MF2-DD (double-sided, double-density, double-track, 3.5 inch) micro floppy disks, if possible.



Procedure for Formatting a Disk

- Step 1 Set the protect tab on the disk you wish to format to the WRITE position, then insert it into the disk drive.
- Step 2 Select the System Command Mode (see page 20), move the cursor to "Format Disk", then press the ENTER button.



- Step 3 Press the ENTER button.

When formatted, the command selection display is recalled.

2. Backup of the SYS – 505 System Disk

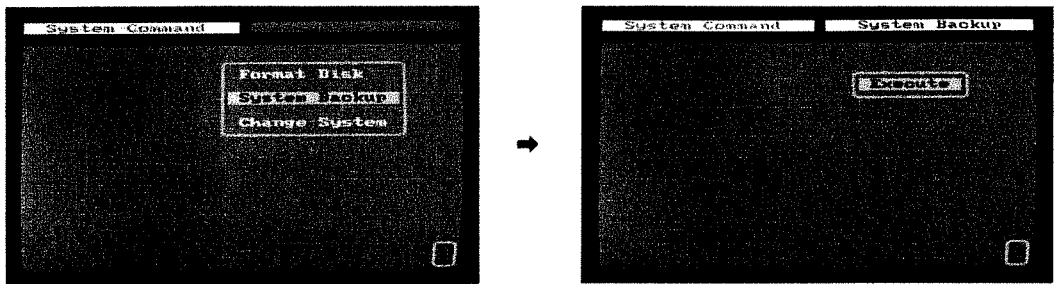
Floppy disks will wear out after a certain period of time. To avoid loss of the SYS – 505's system disk, make a few backups, and use a backup disk, keeping the original in a safe place.

*Use only double – sided, double – density, double – track, 3.5 inch micro floppy disks, such as the Roland MF2 – DD.

*Your Roland dealer will, for a small fee, replace your system disk should it become irreparably damaged.

Procedure for System Backup

- Step 1 Set the protect tab on the destination disk to the WRITE position, and insert it into the disk drive.
- Step 2 Select the System Command Mode (see page 20), move the cursor to "System Backup", then press the ENTER button.



- Step 3 Press the ENTER button.

The display responds with "Formatting" then "Saving system".

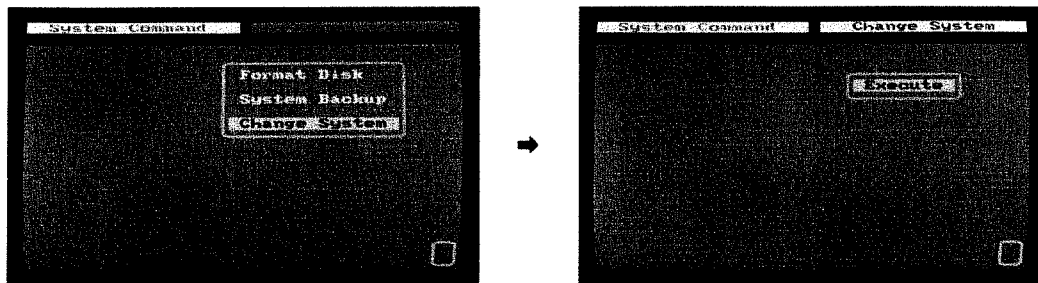
When the system saved, the command selection display is recalled.

3. Change System

This function allows you to switch to S-50 Ver.2,0 or DIRECTOR-S SYS-503 system without cutting the power. The main advantage is that the sound data (= patch parameters, tone parameters, wave data, MIDI data and Function data) remains in the memory. S-50 Ver.2,0 and DIRECTOR-S (SYS-503) also provide a similar function for returning to the SYS-505 system.

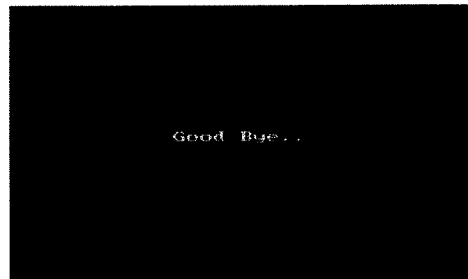
Procedure for Change System

- Step 1 Insert the Ver.2,0 or DIRECTOR-S "SYS-503" system disk into the disk drive.
- Step 2 Select the System Command Mode (page 20), move the cursor to "Change System" then press the ENTER button.



- Step 3 Press the ENTER button.

In a few seconds, the unit can be operated with the new system.



SPECIFICATIONS

DISK Double – sided, double – density, double – track, 3.5 – inch micro floppy disk

Functions

1. Library Converter
 - 1) Convert Disk
 - 2) Convert Load
 - 3) Save All

2. Load Patch/Tone
 - 1) Load Patch/Tone
 - 2) Save All
 - 3) Delete All

3. System Commands
 - 1) Disk Format
 - 2) Backup of the SYS – 505 System Disk
 - 3) Change System

MEMO

MEMO

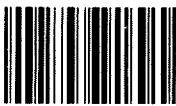
 Roland®

79481109

SYS-505

UPC

79481109



10981

 Roland