

# Roland®

Roland Drum System  
**V-Tour®** series



# TD-6KW

## Owner's Manual

Thank you, and congratulations on your choice of the Roland Drum System TD-6KW.

Before using this unit, carefully read the sections entitled: "USING THE UNIT SAFELY" and "IMPORTANT NOTES" (p. 2, p. 3). These sections provide important information concerning the proper operation of the unit. Additionally, in order to feel assured that you have gained a good grasp of every feature provided by your new unit, Owner's manual should be read in its entirety. The manual should be saved and kept on hand as a convenient reference.



*\* For the Snare (PDX-8) to function correctly, trigger parameters in the sound module TD-6V must be adjusted.*

Copyright © 2006 ROLAND CORPORATION

All rights reserved. No part of this publication may be reproduced in any form without the written permission of ROLAND CORPORATION.

# USING THE UNIT SAFELY

## INSTRUCTIONS FOR THE PREVENTION OF FIRE, ELECTRIC SHOCK, OR INJURY TO PERSONS

### About ⚠ WARNING and ⚠ CAUTION Notices

|                  |  |
|------------------|--|
| <b>⚠ WARNING</b> | Used for instructions intended to alert the user to the risk of death or severe injury should the unit be used improperly.   |
| <b>⚠ CAUTION</b> | Used for instructions intended to alert the user to the risk of injury or material damage should the unit be used improperly.<br>* Material damage refers to damage or other adverse effects caused with respect to the home and all its furnishings, as well to domestic animals or pets. |

### About the Symbols

|  |  |
|--|--|
|  | The ⚠ symbol alerts the user to important instructions or warnings. The specific meaning of the symbol is determined by the design contained within the triangle. In the case of the symbol at left, it is used for general cautions, warnings, or alerts to danger.         |
|  | The ⚡ symbol alerts the user to items that must never be carried out (are forbidden). The specific thing that must not be done is indicated by the design contained within the circle. In the case of the symbol at left, it means that the unit must never be disassembled. |
|  | The ● symbol alerts the user to things that must be carried out. The specific thing that must be done is indicated by the design contained within the circle. In the case of the symbol at left, it means that the power-cord plug must be unplugged from the outlet.        |

## ALWAYS OBSERVE THE FOLLOWING

### ⚠ WARNING

- Before using this unit, make sure to read the instructions below, and the Owner's Manual.

---

- Do not open or perform any internal modifications on the unit. (The only exception would be where this manual provides specific instructions which should be followed in order to put in place user-installable options; see p. 7.)

---

- Do not attempt to repair the unit, or replace parts within it (except when this manual provides specific instructions directing you to do so). Refer all servicing to your retailer, the nearest Roland Service Center, or an authorized Roland distributor, as listed on the "Information" page.

---

- Never use or store the unit in places that are:
  - Subject to temperature extremes (e.g., direct sunlight in an enclosed vehicle, near a heating duct, on top of heat-generating equipment); or are
  - Damp (e.g., baths, washrooms, on wet floors); or are
  - Humid; or are
  - Exposed to rain; or are
  - Dusty; or are
  - Subject to high levels of vibration.

---

- This unit should be used only with a rack or stand that is recommended by Roland.

### ⚠ WARNING

- When using the unit with a rack or stand recommended by Roland, the rack or stand must be carefully placed so it is level and sure to remain stable. If not using a rack or stand, you still need to make sure that any location you choose for placing the unit provides a level surface that will properly support the unit, and keep it from wobbling.

---

- Do not allow any objects (e.g., flammable material, coins, pins); or liquids of any kind (water, soft drinks, etc.) to penetrate the unit.

---

- In households with small children, an adult should provide supervision until the child is capable of following all the rules essential for the safe operation of the unit.

---

- Do not drop it!

### ⚠ CAUTION

- Try to prevent cords and cables from becoming entangled. Also, all cords and cables should be placed so they are out of the reach of children.

---

- Never climb on top of, nor place heavy objects on the unit.

---

- Should you remove nuts, washers, screws, anchor bolts, etc., keep them in a safe place out of children's reach, so there is no chance of them being swallowed accidentally.

## IMPORTANT NOTES

In addition to the items listed under “USING THE UNIT SAFELY” on page 2, please read and observe the following:

### Placement

- Do not expose the unit to direct sunlight, place it near devices that radiate heat, leave it inside an enclosed vehicle, or otherwise subject it to temperature extremes. Excessive heat can deform or discolor the unit.
- Do not allow rubber, vinyl, or similar materials to remain on the unit for long periods of time. Such objects can discolor or otherwise harmfully affect the finish.

### Maintenance

- For everyday cleaning wipe the unit with a soft, dry cloth or one that has been slightly dampened with water. To remove stubborn dirt, use a cloth impregnated with a mild, non-abrasive detergent. Afterwards, be sure to wipe the unit thoroughly with a soft, dry cloth.
- Never use benzine, thinners, alcohol or solvents of any kind, to avoid the possibility of discoloration and/or deformation.

### Additional Precautions

- Use a reasonable amount of care when using the unit’s buttons, sliders, or other controls; and when using its jacks and connectors. Rough handling can lead to malfunctions.
- When connecting / disconnecting all cables, grasp the connector itself—never pull on the cable. This way you will avoid causing shorts, or damage to the cable’s internal elements.
- To avoid disturbing your neighbors, try to keep the unit’s volume at reasonable levels. You may prefer to use headphones, so you do not need to be concerned about those around you (especially when it is late at night).
- This instrument is designed to minimize the extraneous sounds produced when it’s played. However, since sound vibrations can be transmitted through floors and walls to a greater degree than expected, take care not to allow these sounds to become a nuisance to neighbors, especially when performing at night and when using headphones.

## Checking the Contents of the Box

- TD-6V (Percussion Sound Module) x 1
- KD-8 (Kick Trigger Pad) x 1
- FD-8 (Hi-Hat Control Pedal) x 1
- PDX-8 (V-Pad) x 1
- PD-8 (Pad) x 3
- CY-5 (Cymbal Pad) x 1
- CY-8 (Cymbal Pad) x 2
- Connection Cables
- Tuning Key x 1
- TD-6KW Owner's Manual x 1

### MEMO

- The tuning key is included in the FD-8 package.
- The TD-6V Owner's Manual is included in the TD-6V package.
- This package does not include a kick pedal. Use with a commercially available kick pedal.
- This package does not include the CY-5 attachment set for cymbal.

\* In the interest of product improvement, the specifications and/or appearance of this unit are subject to change without prior notice.

## Drum Stand

Assemble the Drum Stand.



About the Stand, refer to the owner's manual for the stand.

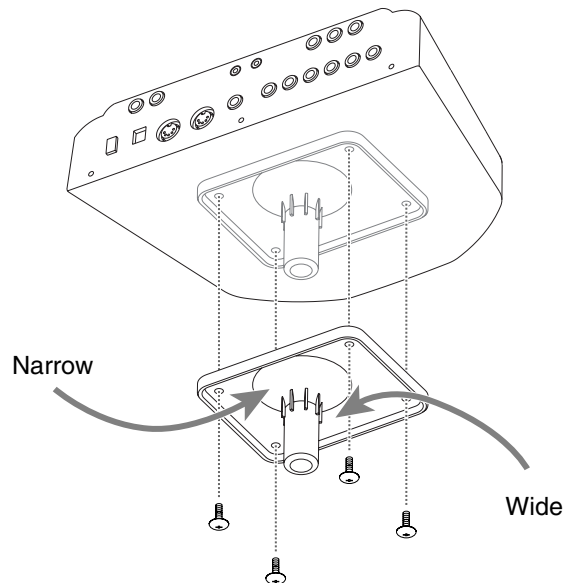
## TD-6V (Percussion Sound Module)

Attach the mounting plate (included with the optional drum stand) to the TD-6V.

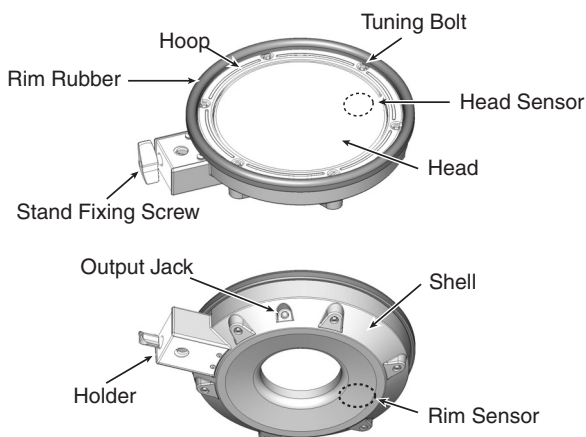
Using the screws attached to the bottom panel, attach the holder so the unit is oriented as shown in the diagram.

### NOTE

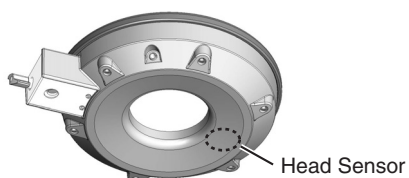
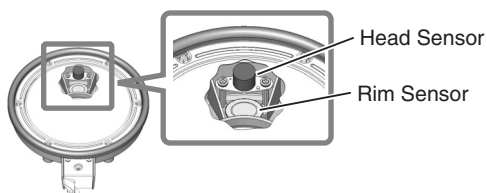
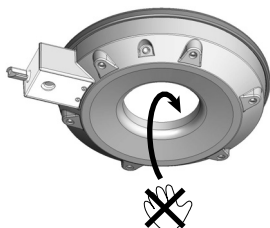
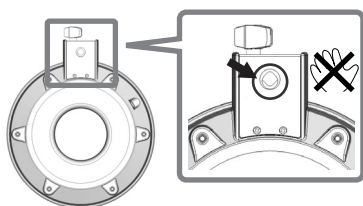
- To attach the stand holder, remove the four 8 mm screws (M5 x 8) from the bottom of the TD-6V and use them. Use of other screws may result in damage to the unit.
- When turning the unit upside-down, get a bunch of newspapers or magazines, and place them under the four corners or at both ends to prevent damage to the buttons and controls. Also, you should try to orient the unit so no buttons or controls get damaged.
- When turning the unit upside-down, handle with care to avoid dropping it, or allowing it to fall or tip over.



## PDX-8 (Snare)



\* Do NOT place your fingers inside the shell, as you may hurt yourself or cause damage to the PDX-8. Or when changing the head, do NOT touch any of the internal parts. Also, do not insert your fingers into the hole of the mounting bracket.



## Adjusting the Head Tension

### Before using the pad, tighten the head so that the tension is rather firm.

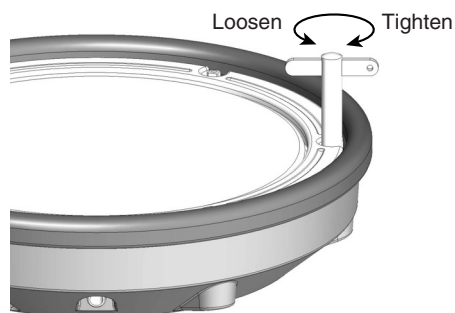
Looseness in the head tension may result in problems such as failure of the PDX-8's rim shots to sound or double triggering.

#### NOTE

Striking the head when the head tension is loose may damage the sensor.

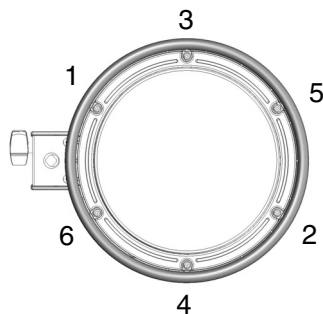
### 1. Use the tuning key to tighten the tuning bolts.

Strike the head to check the feel and response.



#### NOTE

Tighten each tuning bolt one by one, observing the numerical order shown in the diagram. Do not firmly tighten a single tuning bolt by itself. Doing so will make it impossible to tension the head evenly, and will cause malfunctions.



### 2. Fine-tune the adjustment while continuing to check the pad feel and response.

#### MEMO

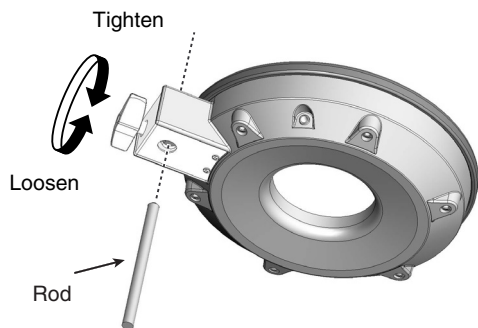
- On the PDX-8, adjusting the head tension affects only the head response, and does not change the pitch of the sound as it would on an acoustic drum.
- Head tension may slacken with the passage of time. Readjust the tension as needed.

## Attaching the Pad to a Stand

Attach the PDX-8 to a pad mount of the stand.

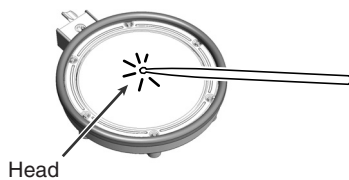
### NOTE

Be sure to tighten the stand fixing screw secure. If it remain loose, double triggering may occur.



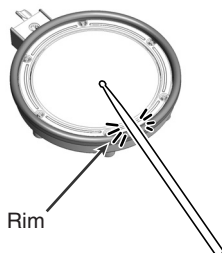
## Playing Methods

### Head Shots

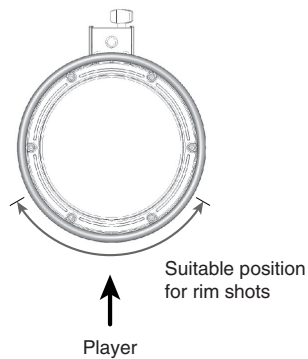


\* Do not strike the hoop.

### Rim Shots



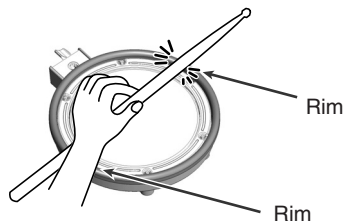
\* To play rim shots, strike the rim in the area shown in the diagram.



### Cross Stick

Only strike the rim of the pad.

Depending on the instrument assigned to the rim, you can play rim shots and/or cross stick sounds.



\* To play the cross stick, be sure that you only strike the rim of the pad. Placing your hand on the head of the pad might prevent the cross stick sound from being played properly.

### MEMO

For more on settings and tones, see the respective module's owner's manual.

### HINT

If you hear a rim sound when you strike the head, decrease the "Rim Sens" value.

If you cannot get a rim sound even when you strike the rim hard, increase the "Rim Sens" value.

## Head Replacement

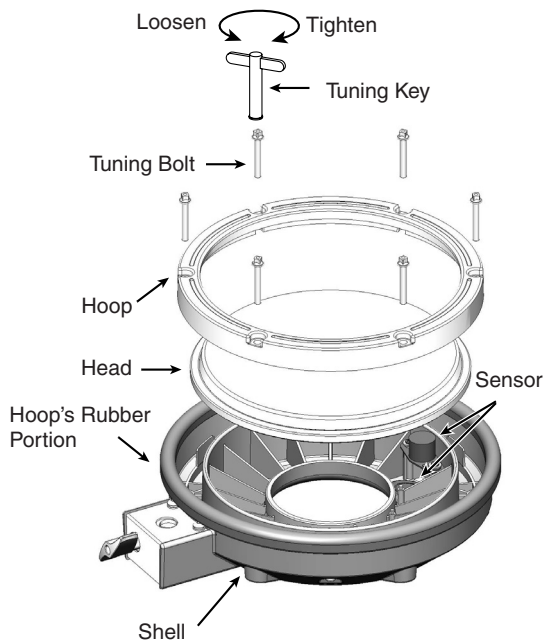
### When the Head Should Be Replaced

The head is an expendable item that eventually will wear out and need to be replaced. Replace the head when the following occurs:

Slack portions remain in the head even when the head tension is properly adjusted.

**Replacement heads (optional): MH-8 Mesh Head**

#### 1. Remove all tuning bolts from the PDX-8.



#### NOTE

Do not apply excessive force to the sensor located under the head. Doing so can interfere with accurate detection, and may damage it.

2. Remove the hoop.
3. Remove the old head.
4. Place the new head on the shell.
5. Place the hoop onto the head.
6. Attach the tuning bolts to the hoop and shell.
7. Next, adjust the tension of the head. Refer to "Adjusting the Head Tension" (p. 5).

#### NOTE

Do not firmly tighten a single tuning bolt by itself. Doing so will make it impossible to tension the head evenly, and will cause malfunctions.

## Specifications

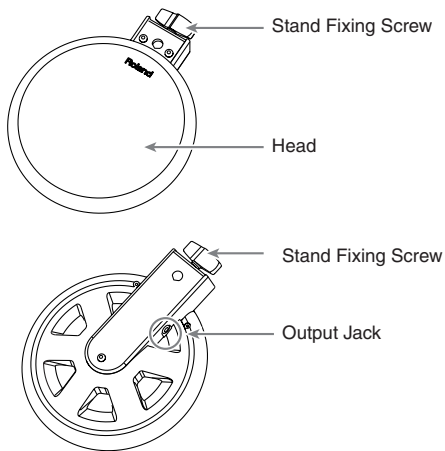
### PDX-8

|             |   |
|-------------|---|
| Head Size:  | 8 inches  |
| Triggers:   | 2 (Head, Rim)   |
| Dimensions: | 266 (W) x 326 (D) x 62 (H) mm<br>10-1/2 (W) x 12-7/8 (D) x 2-1/2 (H) inches |
| Weight:     | 1.3 kg<br>2 lbs 14 oz   |
| Option:     | Mesh Head (MH-8)  |

\* The Rim rubber is one component that eventually wears out (the more so if numerous rim shots are performed), and will require replacement. Rim shots may not be performed correctly when the rim rubber is worn out. If this occurs, replace the rim rubber. Consult Roland Service for more on replacing the rim rubber.

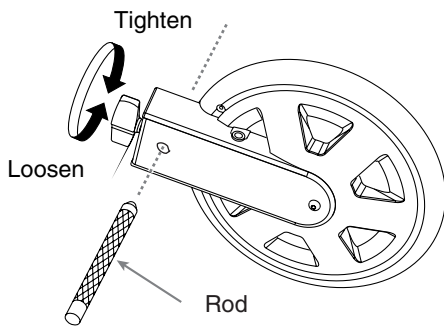
\* Due to the nature of the materials used in the sensor, changes in room temperature may affect the sensitivity of the sensor.

## PD-8 (Tom)



### Attaching the Pad to a Stand

Attach the PDX-8 to a pad mount of the stand.



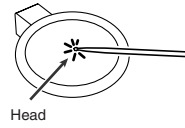
Pass the rod through the pipe that is inside the holder.

#### NOTE

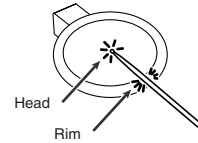
When attaching the PD-8s to the mounts, be sure to tighten the stand fixing screws securely. If any of them remain loose, the pad could fall off.

## Playing the PD-8

### Head Shot



### Rim Shot



To play the sound assigned to the head, hit only the head.

To play a rim shot, you must **strike both the head and the rim of the pad simultaneously**.

## Specifications

### PD-8

Pad Size: 8.5 inches

Triggers: 2 (Head, Rim)

Dimensions: 226 (W) x 280 (D) x 54 (H) mm

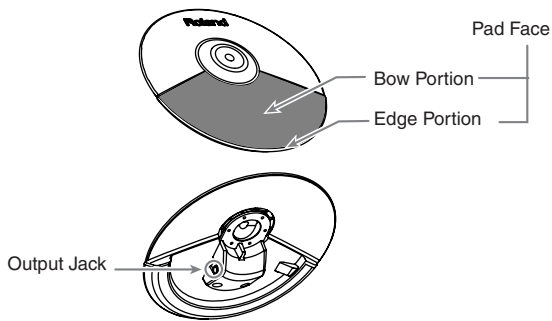
8-15/16 (W) x 11-1/16 (D) x 2-1/8 (H) inches

Weight: 1.2 kg

2 lbs 11 oz

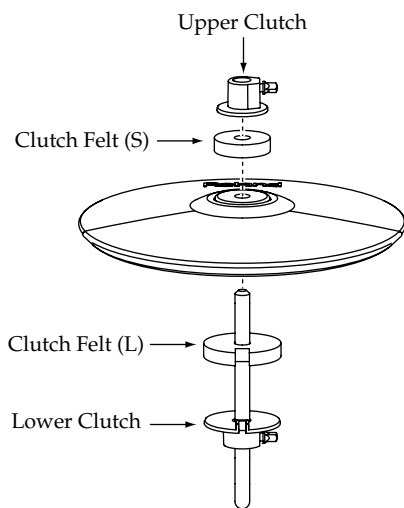


## CY-5 (Hi-Hat)



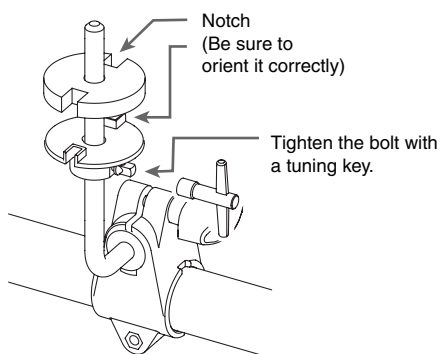
### Making the Settings

When mounting the CY-5 on an L-Rod (pad mount), use **ONLY** the attachment set as shown below.

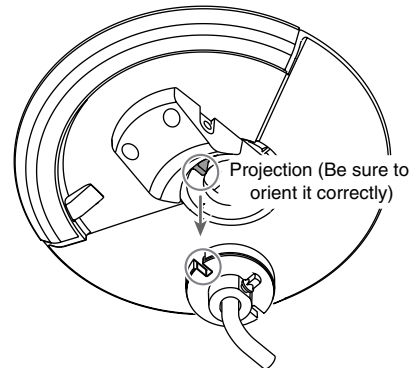


#### 1. Mounting the lower clutch and the clutch felt (L).

Align the notched section as shown below. Then place the clutch felt (L) so it fits securely.



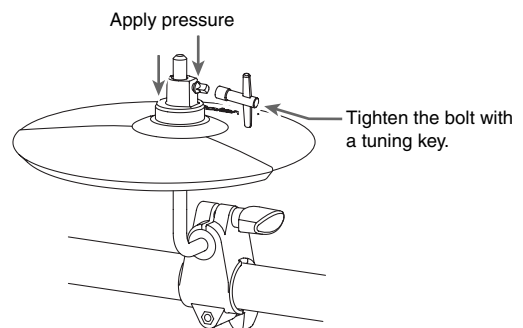
#### 2. Mount the CY-5 so it fits the lower clutch as shown below.



#### 3. Place the clutch felt (S), and while applying some pressure, mount the upper clutch as shown.

Afterwards, you can adjust the upper clutch to have the movement you desire. If it is too loose, double triggering may occur.

Be sure the ROLAND logo is on the opposite side of the playing area.



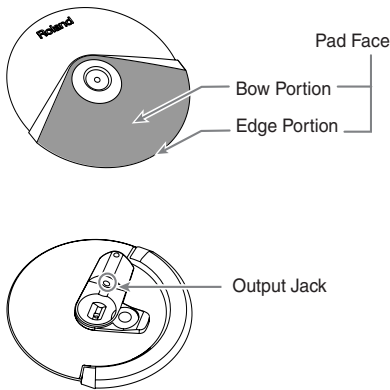
### Specifications

#### CY-5

|              |  |
|--------------|--|
| Size:        | 10 inches  |
| Triggers:    | 2 (Bow, Edge)  |
| Dimensions:  | 246 (W) x 246 (D) x 45 (H) mm<br>9-11/16 (W) x 9-11/16 (D) x 1-13/16 (H)<br>inches       |
| Weight:      | 380 g<br>14 oz (without attachment)  |
| Accessories: | Attachment Set for Hi-Hat (Upper Clutch, Lower Clutch, Clutch Felt (L), Clutch Felt (S)) |

\* Continuous playing may cause dis-coloration of the pad, but this will not affect the Pad's function.

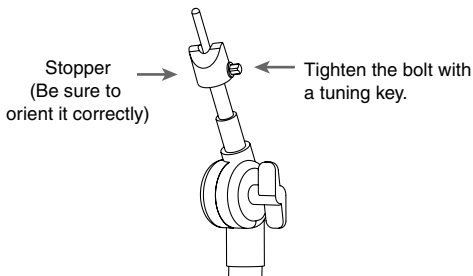
## CY-8 (Crash Cymbal/Ride Cymbal)



### Attaching the Cymbal Pad to a Stand

#### 1. Use a tuning key to tighten the stopper bolt.

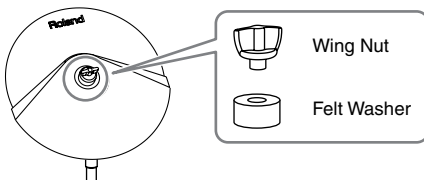
The stopper keeps the cymbal pad from turning, and prevents the cables from catching or getting tangled on the stand.



#### 2. Attach the CY-8 so the Roland logo is positioned on the opposite side of the playing area.

#### 3. Tighten the wing nut to obtain the desired movement.

Use the included felt washer and the wing nut.

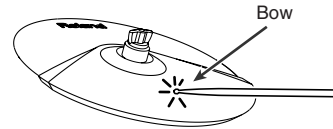


Double sounding may occur if the wing nut is loose.

## Playing the CY-8

### Bow Shot

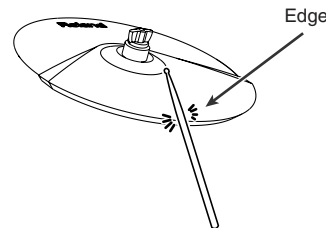
This is the most common playing method, playing the pad face of the cymbal. It corresponds to the sound of the “head-side” of the connected trigger input.



### Edge Shot

This playing method involves striking the edge with the shoulder of the stick. It corresponds to the sound of the “rim-side” of the connected trigger input.

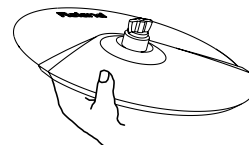
\* To make use of edge shot, you'll need to connect to a trigger input jack on the percussion sound module that accommodates rim shots.



### Choking

Choking (pinching) the cymbal's edge with the hand immediately after hitting the cymbal makes the sound stop.

\* To make use of choking play techniques, you'll need to connect to a trigger input jack on the percussion sound module that accommodates rim shots.



## Specifications

### CY-8

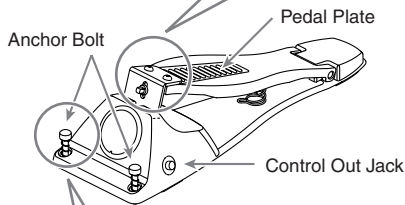
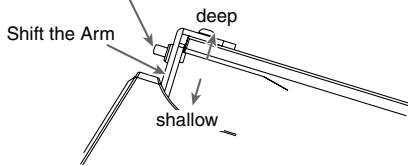
Size: 12 inches  
 Triggers: 2 (Bow, Edge)  
 Dimensions: 290 (W) x 295 (D) x 47 (H) mm  
 11-7/16 (W) x 11-5/8 (D) x 1-7/8 (H) inches  
 Weight: 650 g / 1 lb 7 oz  
 Accessories: Wing Nut, Felt Washer, Stopper

\* Continuous playing may cause dis-coloration of the pad, but this will not affect the Pad's function.

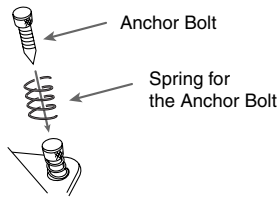
## FD-8 (Hi-Hat Control Pedal)

### Adjusting the Travel of the Pedal

Loosen the nut with a tuning key.  
After adjusting, tighten the nut.



### Attaching the Anchor Bolts (When Using on the Carpet)



### NOTE

- The tips of the anchor bolts are sharp. Handle with care.
- When using on flooring, the anchor bolts may damage the floor. Do not attach the anchor bolts.
- When the FD-8 is not going to be used for a long period of time, move and fix the arm, allowing longer travel for the pedal.
- To avoid damage, do not leave the FD-8 for extended periods of time with the pedal plate depressed.

## Using the FD-8

Using the FD-8, you can control the opening and closing of the hi-hat sound.

### Open Hi-Hat

Strike the hi-hat without pressing the pedal

### Half Open Hi-Hat

Strike the hi-hat with the pedal pressed half-way

### Closed Hi-Hat

Strike the hi-hat with the pedal pressed

### Foot Closed

Completely press down the pedal

### Foot Open

Press the pedal and then immediately release it

### HINT

The volume of the Foot Closed sound can be adjusted separately (TD-6V Owner's Manual; p. 66).

### NOTE

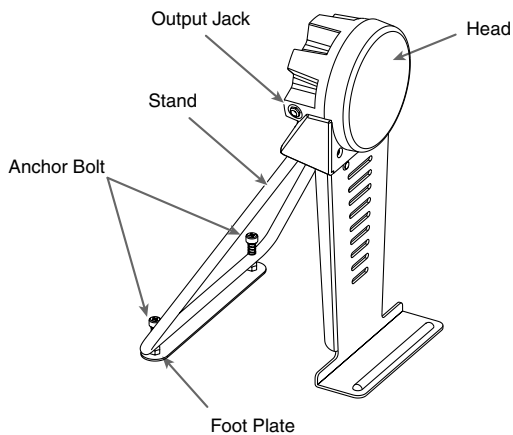
- Connect the FD-8 to the TD-6V before turning on the power.
- Do NOT press the pedal when turning on the power.

## Specifications

### FD-8

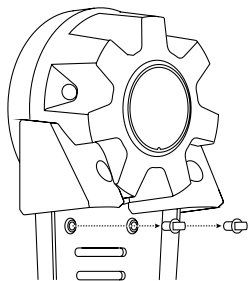
|             |  |
|-------------|--|
| Dimensions: | 130 (W) x 396 (D) x 103 (H) mm<br>5-1/8 (W) x 15-5/8 (D) x 4-1/16 (H) inches |
| Weight:     | 1.3 kg<br>2 lbs 14 oz  |
| Accessory:  | Tuning Key   |

## KD-8 (Kick)

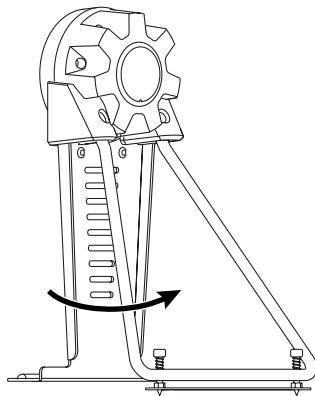


### Making the Settings

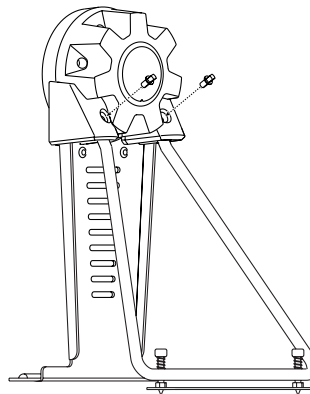
1. Remove the screws attached to the reverse side of the KD-8's trigger.



2. Pull out the stand in the direction indicated by the arrow until it is fully extended.

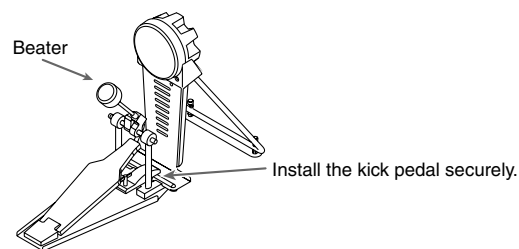


3. Use a tuning key to tighten the screws removed in Step 1 so that the stand is firmly secured.



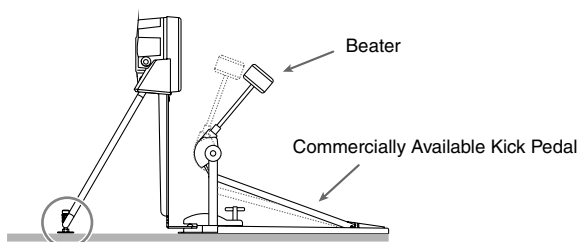
4. Attach the kick pedal.

Position the beater so that it strikes the center of the head, then secure the kick pedal and KD-8 firmly in place.



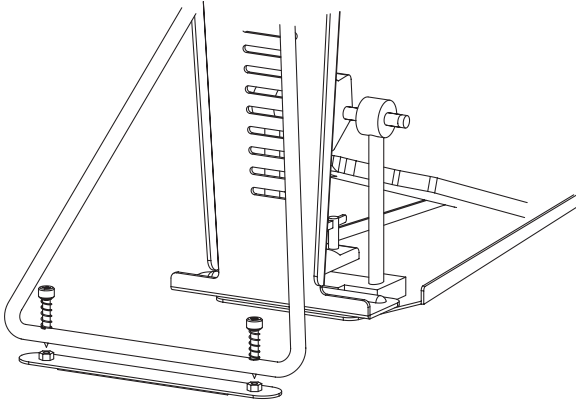
### Adjusting the Foot Plate Height

Depending on your kick pedal, it can be unstable when you attach it to the KD-8. Be sure to adjust the foot plate height so that the entire bottom surface of the pedal is attached to the floor.

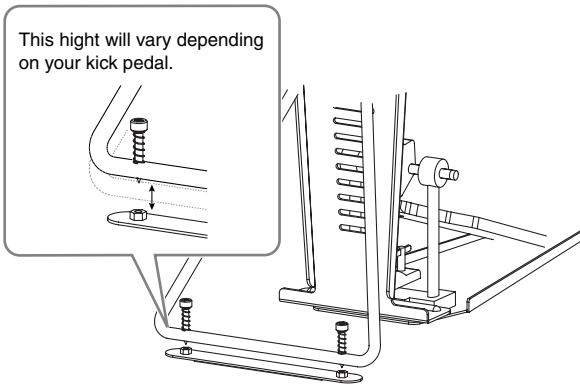


\* Adjust the height so that the entire pedal comes into contact with the floor.

1. Loosen the stand's anchor bolts and remove the foot plate.



2. Set the kick pedal so that the entire bottom surface is attached to the floor.
3. In most cases, the stand becomes somewhat floated. Tighten the anchor bolts securely there to fix the stand and foot plate.



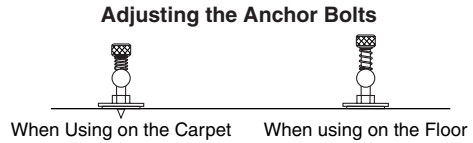
**NOTE**

- Install the kick pedal securely.
- Take care not to pinch your fingers.
- The tips of the anchor bolts are sharp. Handle with care.
- When moving the setup, be sure to remove the screws and fold the stand. Transporting the KD-8 while it remains open may subject the stand to excessive strain and result in damage to the stand.

## Adjusting the Anchor Bolts

When using the kick pedal on a carpet or similar surface, adjust the anchor bolts so their tips protrude from the plate and secure the pedal in place; this will make it easier to use the kick pedal.

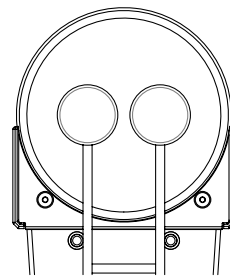
However, when used on flooring, the anchor bolts may damage the floor. Adjust the anchor bolts correctly.



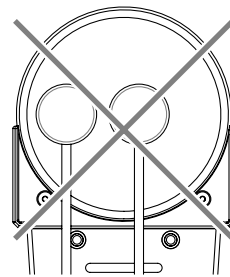
**NOTE**

The tips of the anchor bolts are sharp. Handle with care.

## When Using a Twin Pedal



Position the two beaters equally apart from the center of the pad as shown in the figure at left. If one of the beater is further away from the center than the other, the sound from the further beater will be lower in volume, or will not sound as desired.



Using a twin pedal will result in lower sensitivity as compared to when a single pedal is used. Raise the sensitivity on the sound module.

## Specifications

**KD-8**

Dimensions: 272 (W) x 260 (D) x 405 (H) mm  
10-3/4 (W) x 10-1/4 (D) x 16 (H) inches

Weight: 2.9 kg  
6 lbs 7 oz

Accessories: Screws

\* Continuous playing may cause dis-coloration of the pad, but this will not affect the Pad's function.

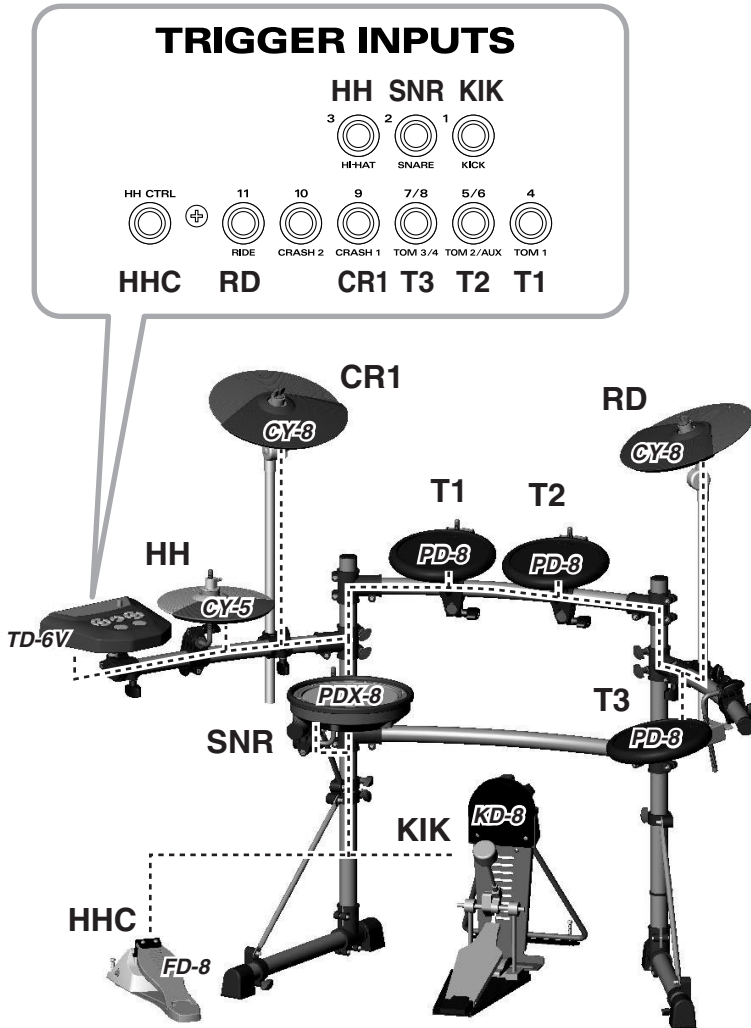
# Assemble the "TD-6KW"

Using the provided cables, connect the pads.

Connect the L-shaped plugs of the included cables to the pads.

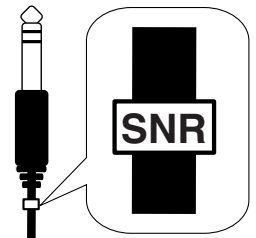
## NOTE

To prevent malfunction and/or damage to speakers or other devices, always turn down the volume, and turn off the power on all devices before making any connections.



1. Insert the plugs of connecting cables into the TRIGGER INPUTS jacks on the rear of the TD-6V.
2. Insert the L-shaped plugs into the TRIGGER OUTPUTS jacks of the pads.

\* When you connect the cables, please refer to the marking label that is attached on both edge of the cables.



## Trigger Settings for the TD-6V

**For the Snare (PDX-8) to function correctly, trigger parameters in the sound module TD-6V must be adjusted.**

For more detailed informations, refer to the TD-6KV Owner's Manual.

## Adding the Optional Pads to the TD-6KW

When adding the new pad, use trigger input 10 (CRASH2).

With the optional cable (PCS-31L) or a standard insert cable, you can connect two pads to the trigger inputs 5/6 (TOM2/AUX) and 7/8 (TOM3/4). You can use up to 11 pads at the same time.

\* When connecting two pads to 1 input (5/6 or 7/8), rim shots are not be possible. For more information, refer to TD-6V Owner's Manual p.70.

## Examples

### Adding a Cymbal

Adding the CY-8 or the CY-5 for a 2nd Crash or a Splash Cymbal. For mounting, use the Cymbal Mount MDY-10U.

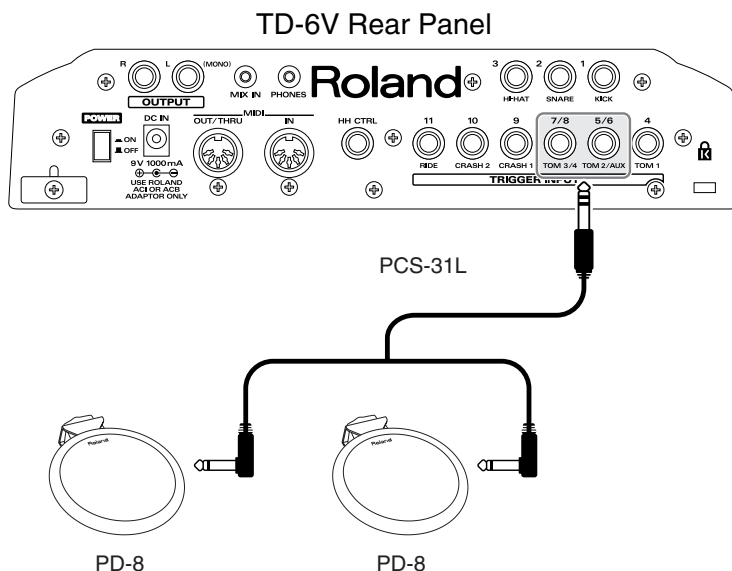
### Adding a Tom

Adding the PD-8 for a 2nd floor tom.

Connect the PD-8 to the trigger input 10 (CRASH2).

With the optional cable (PCS-31L), you can also connect two PD-8s to the trigger input 7/8 (TOM3/4).

For mounting, use the Pad Mount MDH-10U.



## Options

|                     |                              |
|---------------------|------------------------------|
| Kick Trigger Pad:   | KD-8, KD-7                   |
| V-Kick Trigger Pad: | KD-85, KD-120                |
| Dual Trigger Pad:   | PD-8                         |
| V-Pad:              | PDX-8, PD-85, PD-105, PD-125 |
| Cymbal Pad:         | CY-8, CY-5                   |
| V-Cymbal:           | CY-12R/C, CY-14C, CY-15R     |
| Pad Mount:          | MDH-10U                      |
| Cymbal Mount:       | MDY-10U                      |
| Connection Cable:   | PCS-31L                      |

